

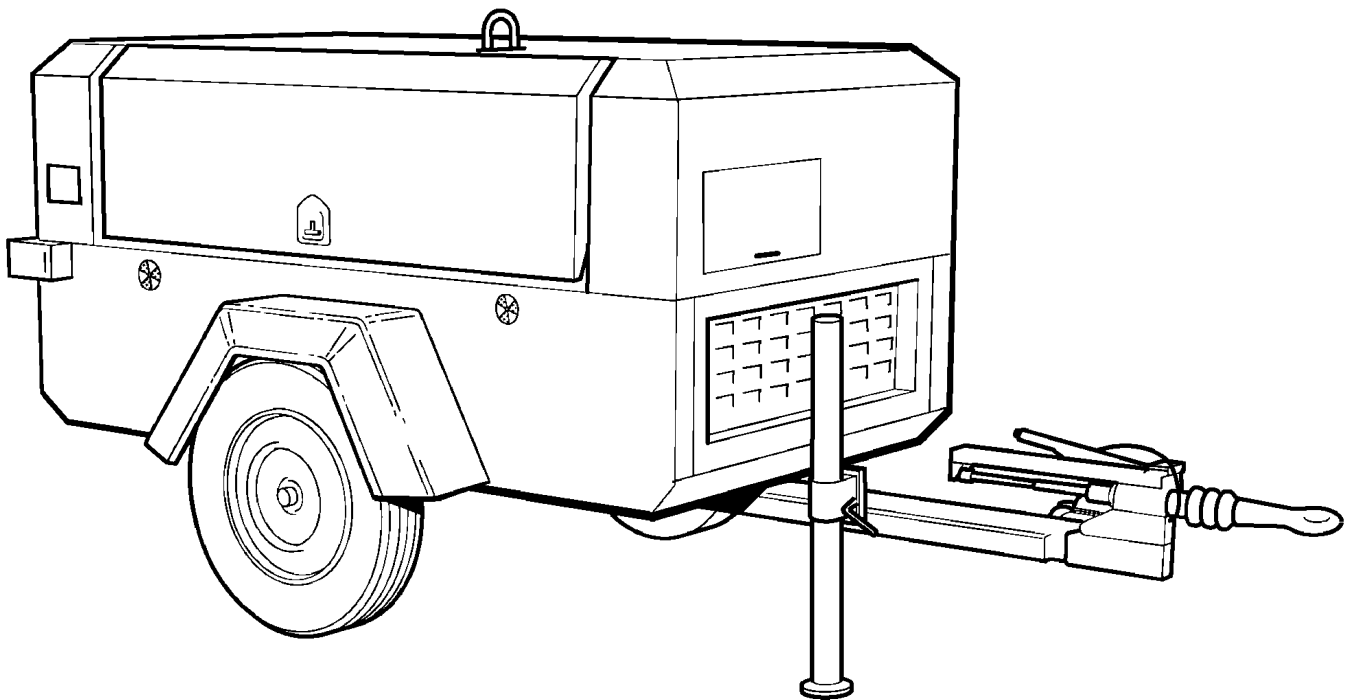


Portable Power

7/71, 12/56

PARTS MANUAL

SERIAL No : 522700 ->





Portable Power

CONTENTS

RUNNING GEAR

RUNNING GEAR - (fixed height braked)	3
RUNNING GEAR - (variable height braked)	9

MAIN FRAME

ENCLOSURE	15
ENCLOSURE	19
DECALS & DOCUMENTATION	21
DECALS & DOCUMENTATION	23

ELECTRICAL SYSTEM

INSTRUMENTATION & ELECTRICS	25
INSTRUMENTATION & ELECTRICS	29
INSTRUMENTATION & ELECTRICS	31

AIR END

AIREND ASSEMBLY	33
AIREND ASSEMBLY	35
AIR INTAKE	37
OIL/AIR PIPING	39
OIL/AIR PIPING	43
REGULATION SYSTEM	47

POWER UNIT

ENGINE ASSEMBLY	49
OIL SUMP	51
VALVE COVER	53
OIL FILLER	55
INTAKE MANIFOLD	57
EXHAUST MANIFOLD	59
LUBE OIL SYSTEM	61
LUBE OIL SYSTEM	63
COOLING SYSTEM	65
FUEL FILTER	69
STARTER MOTOR	71
ALTERNATOR	73
ECU	75
AIR INTAKE	77
EXHAUST SYSTEM	79
COOLING SYSTEM	81
FUEL SYSTEM	83

ACCESSORIES & OPTIONS

OPTION - GENERATOR	85
OPTION - LUBRICATOR	89
OPTION - AFTERCOOLER	91
OPTION - OVERSPEED VALVE	93
OPTION - TOOLBOX	95

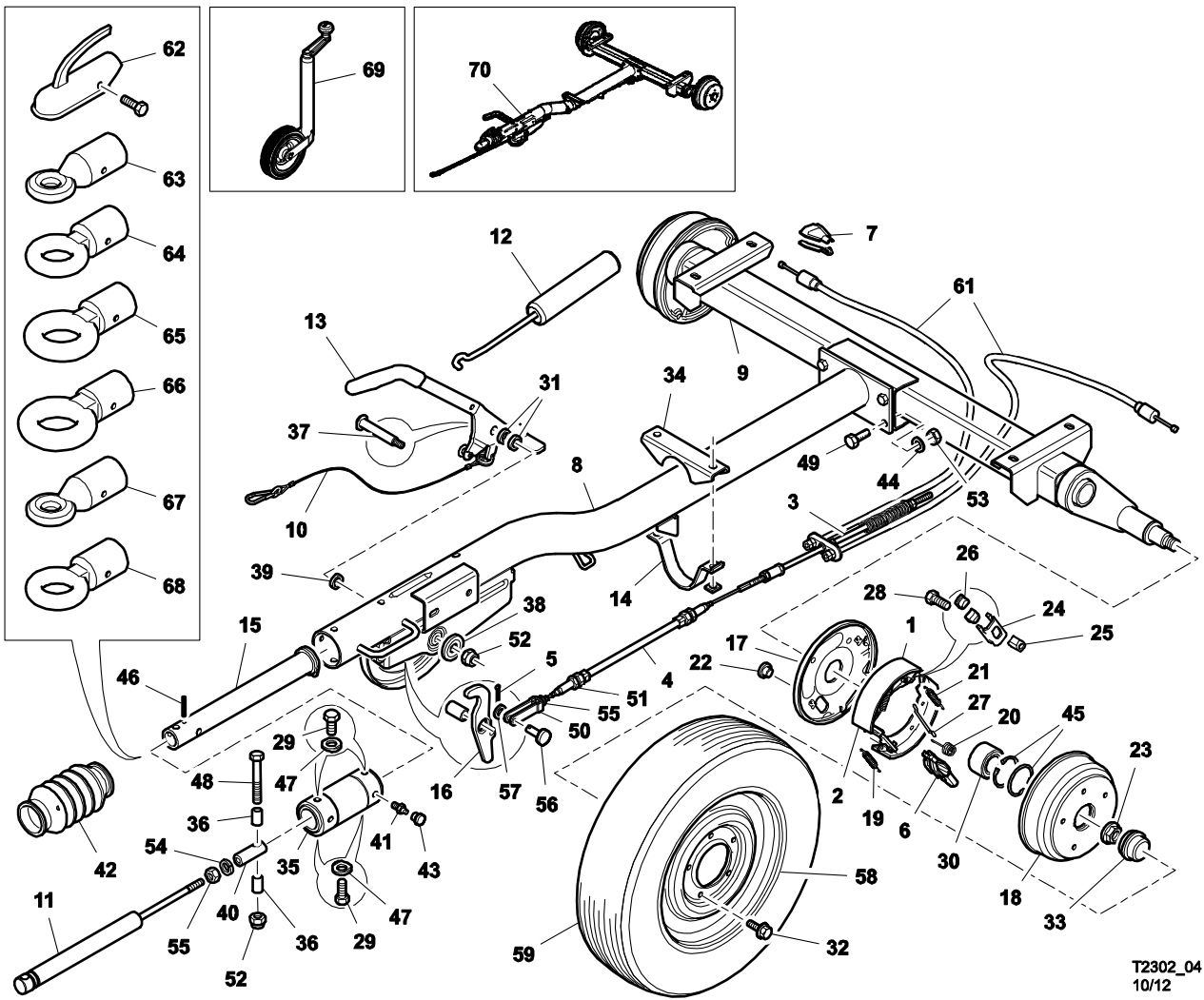
MAINTENANCE ITEMS

RECOMMENDED SPARE PARTS - (1 unit 7/71 & 12/56 Tier 3) - (for 2 years operation)	97
--	----

MAINTENANCE KIT - (500 hours)	101
MAINTENANCE KIT - (1000 hours)	103
MAINTENANCE KIT - (valve, unloader)	105
MAINTENANCE KIT - (brake pads)	107
FLUIDS	109
AIR DELIVERY HOSE	111
AIR HOSE FITTINGS	113
SERVICE TOOLS	115
CONNECTOR REPAIR KITS	119

7/71-12/56_23361439-B_10/12

RUNNING GEAR (fixed height braked)

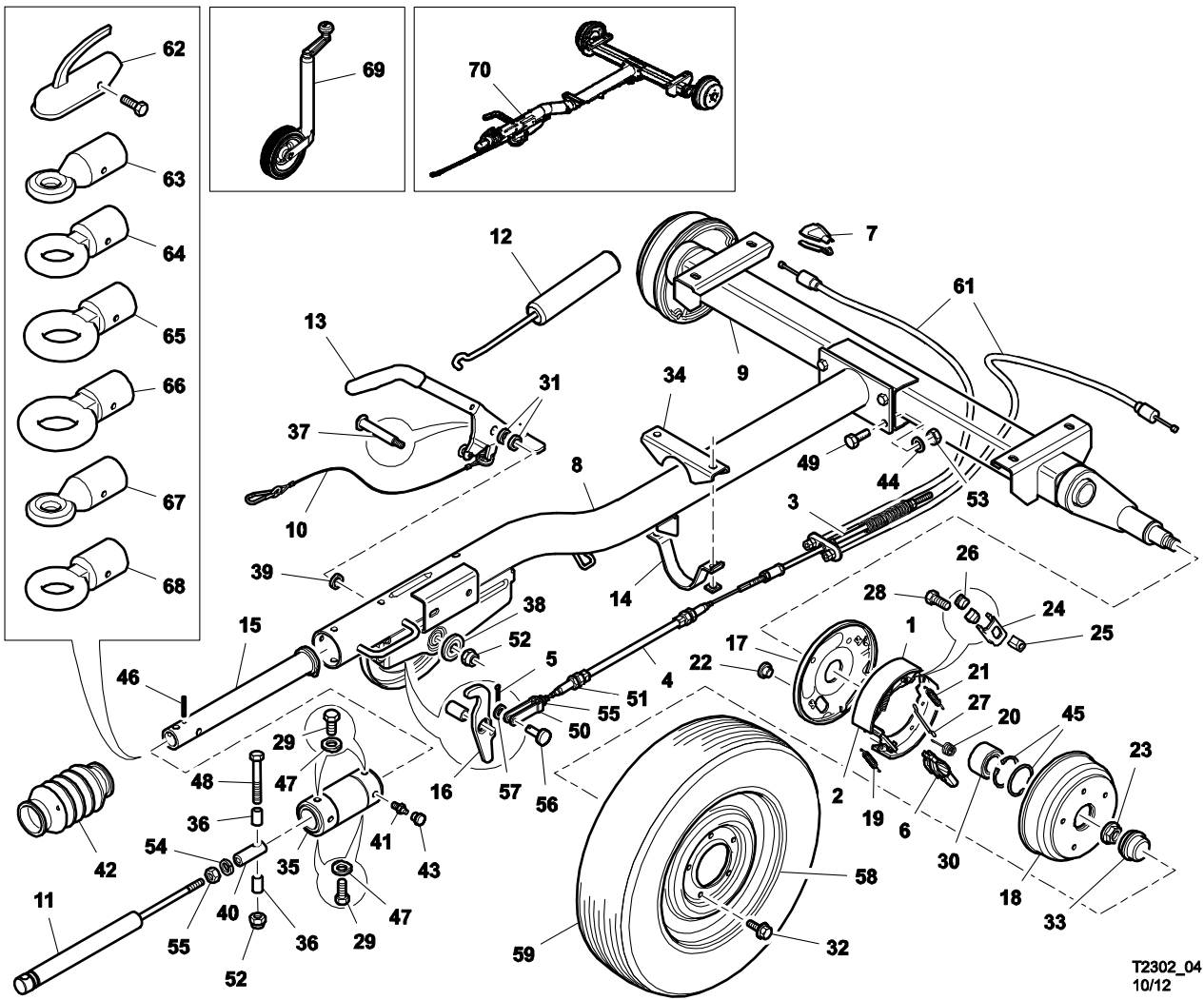


T2302_04
10/12

**RUNNING GEAR
(fixed height braked)**

Item	Part Number	Description	Remarks	Serial Number	Qty
1	22241012	SHOE	(rear)		2
2	22241111	SHOE	(front)		2
3	22241137	SPRING			1
3	22645808	SPRING	####		1
4	18034124	CABLE			1
5	22241566	PART			1
6	22051205	LEVER			2
7	22241384	COVER, CABLE			2
8	22241459	DRAWBAR			1
8	22645824	DRAWBAR	####		1
9	22241467	AXLE TUBE ASSEMBLY			1
10	22051841	CABLE			1
11	22241475	DAMPER			1
12	22182802	SPRING			1
13	22051833	LEVER, HANDBRAKE			1
14	22051742	CLAMP			1
15	22051411	SLIDER			1
16	22051858	LEVER			1
17	22241020	PART			1
18	22241103	DRUM, BRAKE			2
19	22241582	SPRING	(lower)		2
20	22241186	SPRING			2
21	22241202	SPRING	(upper)		2
22	22241210	COVER			4
23	22051114	NUT			2
24	22241228	BOLT			2
25	22241301	BOLT			2
26	22241319	KEY			4
27	22241327	ROD			2
28	22241335	SCREW			2
29	22241368	SCREW			4

RUNNING GEAR (CONT'D) (fixed height braked)

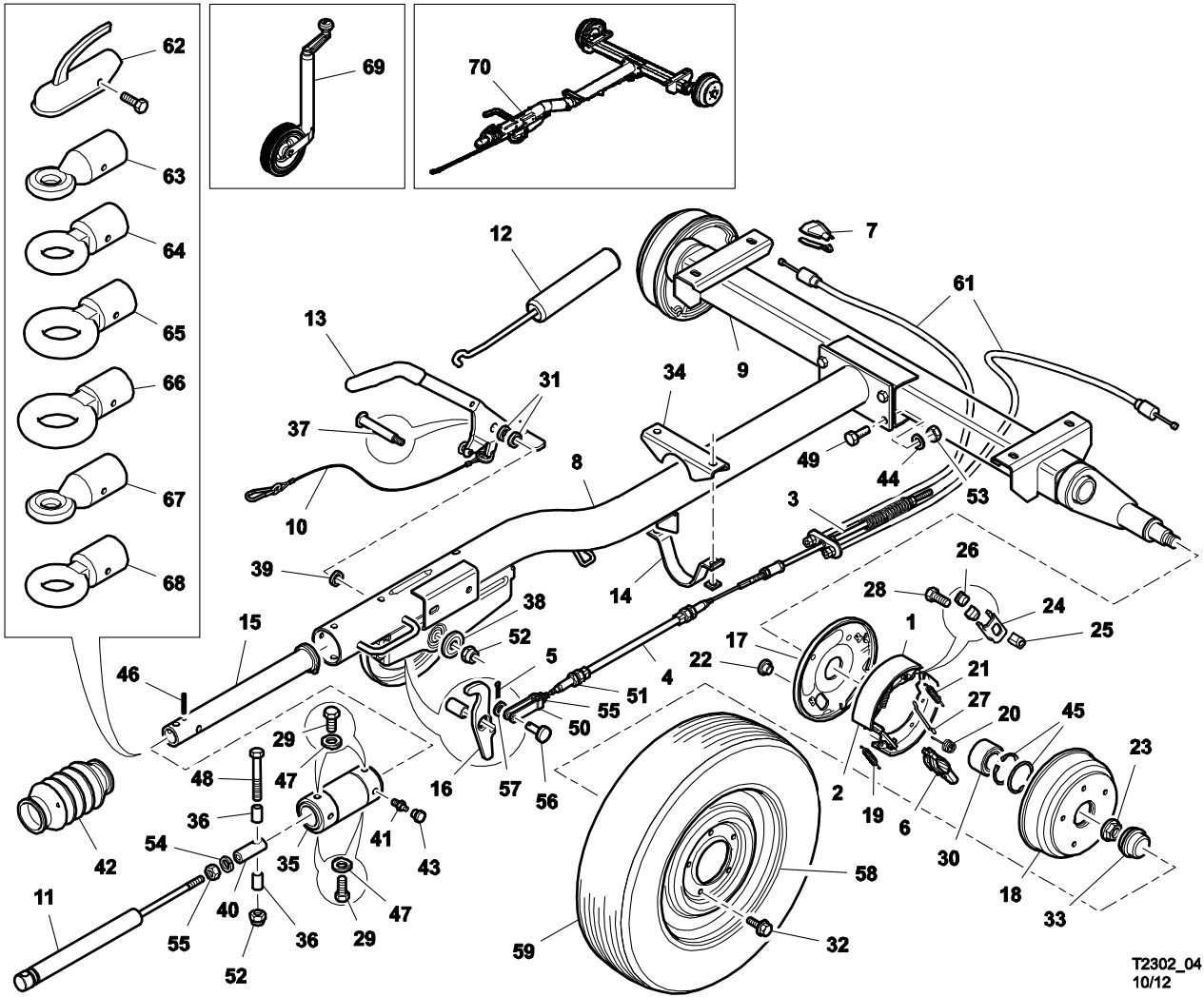


T2302_04
10/12

RUNNING GEAR (CONT'D)
(fixed height braked)

Item	Part Number	Description	Remarks	Serial Number	Qty
30	22051122	BEARING			2
31	22241376	WASHER			2
32	22241392	BOLT, WHEEL			10
33	22052161	CAP			2
34	22241442	CLAMP			1
35	22241129	TUBE			1
36	22051551	BUSH			2
37	22051866	BOLT			1
38	22241194	WASHER			1
39	22051882	WASHER			1
40	22051544	JOINT			1
41	22241400	NIPPLE			2
42	22051510	COVER			1
43	22241426	CAP			2
44	22104806	WASHER			4
45	22241509	RING, RETAINING			4
46	22241517	PIN			1
47	22241525	WASHER			4
48	22051569	BOLT			1
49	22357529	BOLT			4
50	22241483	CLEVIS			1
51	22241558	NUT			1
52	22051494	NUT			2
53	22051494	NUT			4
54	22051585	RING			1
55	22051577	NUT			2
56	22241160	PIN			1
57	22241491	WASHER			1
58	22125587	WHEEL			2
59	22125595	TYRE			2
60	22125579	WHEEL AND TYRE ASSEMBLY	W/Ref. 58-59		2

RUNNING GEAR (CONT'D) (fixed height braked)

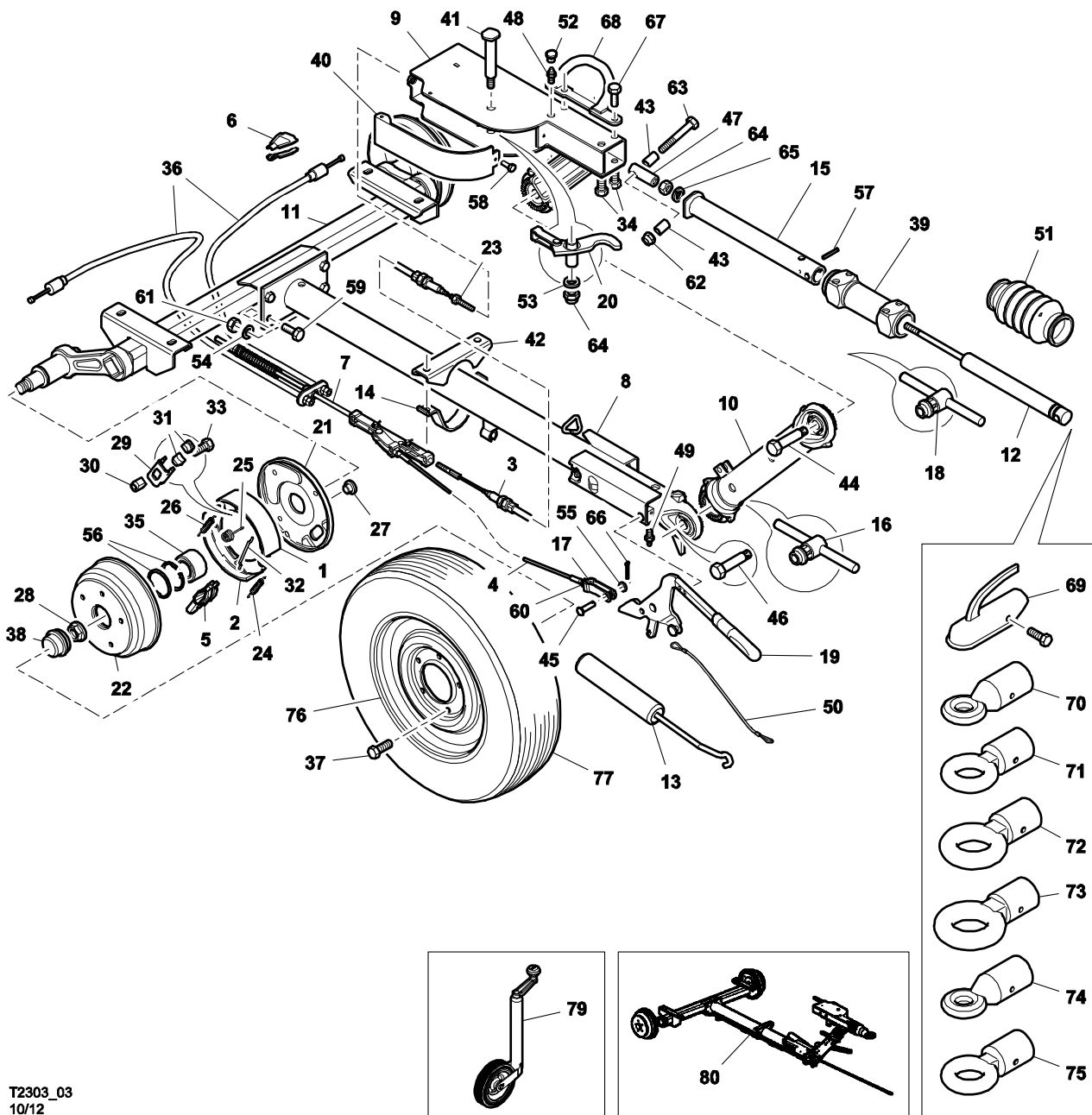


T2302_04
10/12

RUNNING GEAR (CONT'D)
(fixed height braked)

Item	Part Number	Description	Remarks	Serial Number	Qty
61	22241145	CABLE			2
62	22212013	HITCH, BALL	(Ø 50 mm)		1
62	46569660	HITCH, BALL	(non-standard) - (Ø 50 mm)		1
63	54774500	EYE, TOWING	(Ø 40 mm)		1
63	46569699	EYE, TOWING	(non-standard)(UK) - (Ø 40 mm)		1
64	54774518	EYE, TOWING	(Ø 50 mm)		1
64	46569683	EYE, TOWING	(non-standard) - (Ø 50 mm)		1
65	54774534	EYE, TOWING	(Ø 68 mm)		1
65	46569679	EYE, TOWING	(non-standard) - (Ø 68 mm)		1
66	54774542	EYE, TOWING	(Ø 76 mm - including bolts)		1
67	54774492	EYE, TOWING	(non-standard) - (Ø 28 mm)		1
68	46553655	EYE, TOWING	(non-standard)(Italy) - (Ø 45 mm)		1
69	22126437	JOCKEY WHEEL ASSEMBLY			1
70	22125181	RUNNING GEAR ASSEMBLY	(complete)		1

RUNNING GEAR (variable height braked)

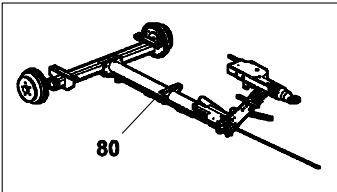
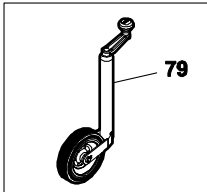
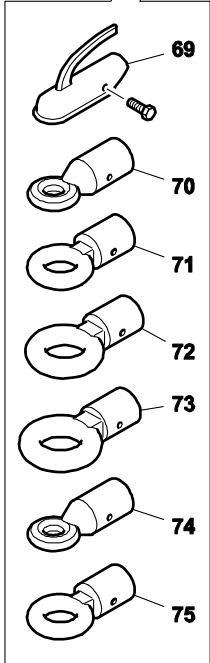
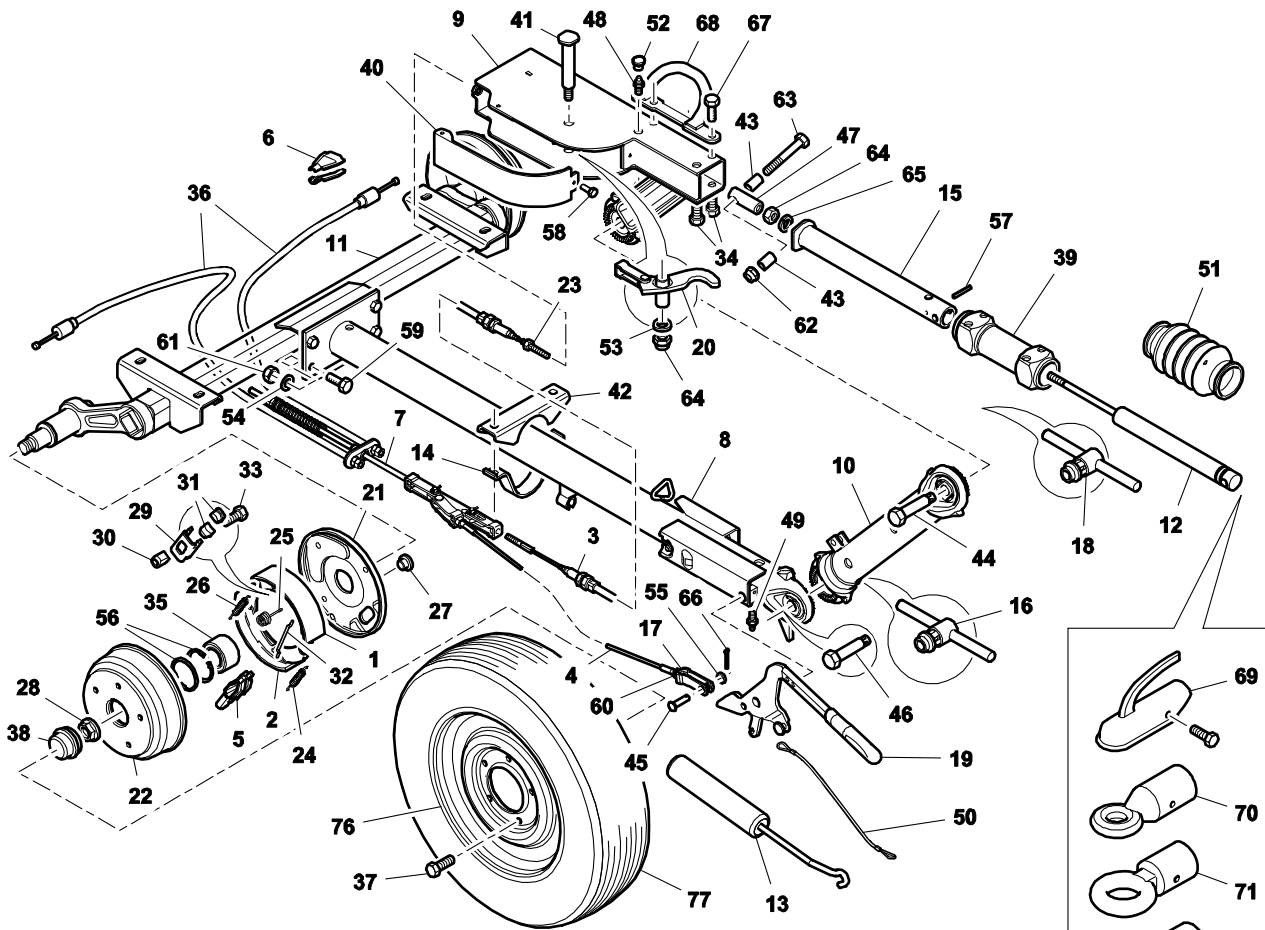


T2303_03
10/12

**RUNNING GEAR
(variable height braked)**

Item	Part Number	Description	Remarks	Serial Number	Qty
1	22241012	SHOE	(rear)		2
2	22241111	SHOE	(front)		2
3	18034124	CABLE			1
4	22241152	CABLE			1
5	22051205	LEVER			2
6	22241384	COVER, CABLE			2
7	22126395	COMPENSATOR			1
8	22241061	PART			1
9	22241079	PART			1
10	22241087	PART			1
11	22241467	AXLE TUBE ASSEMBLY			1
12	22241475	DAMPER			1
13	22182802	SPRING			1
14	22051742	CLAMP			1
15	22051411	SLIDER			1
16	22051718	HANDLE			1
17	22241483	CLEVIS			1
18	22051692	HANDLE			1
19	22066823	LEVER, HANDBRAKE			1
20	22066914	LEVER, TRANSMISSION			1
21	22241020	PART			2
22	22241103	DRUM, BRAKE			2
23	22051577	NUT			1
24	22241582	SPRING	(lower)		2
25	22241186	SPRING			2
26	22241202	SPRING	(upper)		2
27	22241210	COVER			4
28	22051114	NUT			2
29	22241228	BOLT			2
30	22241301	BOLT			2
31	22241319	KEY			4

RUNNING GEAR (CONT'D) (variable height braked)

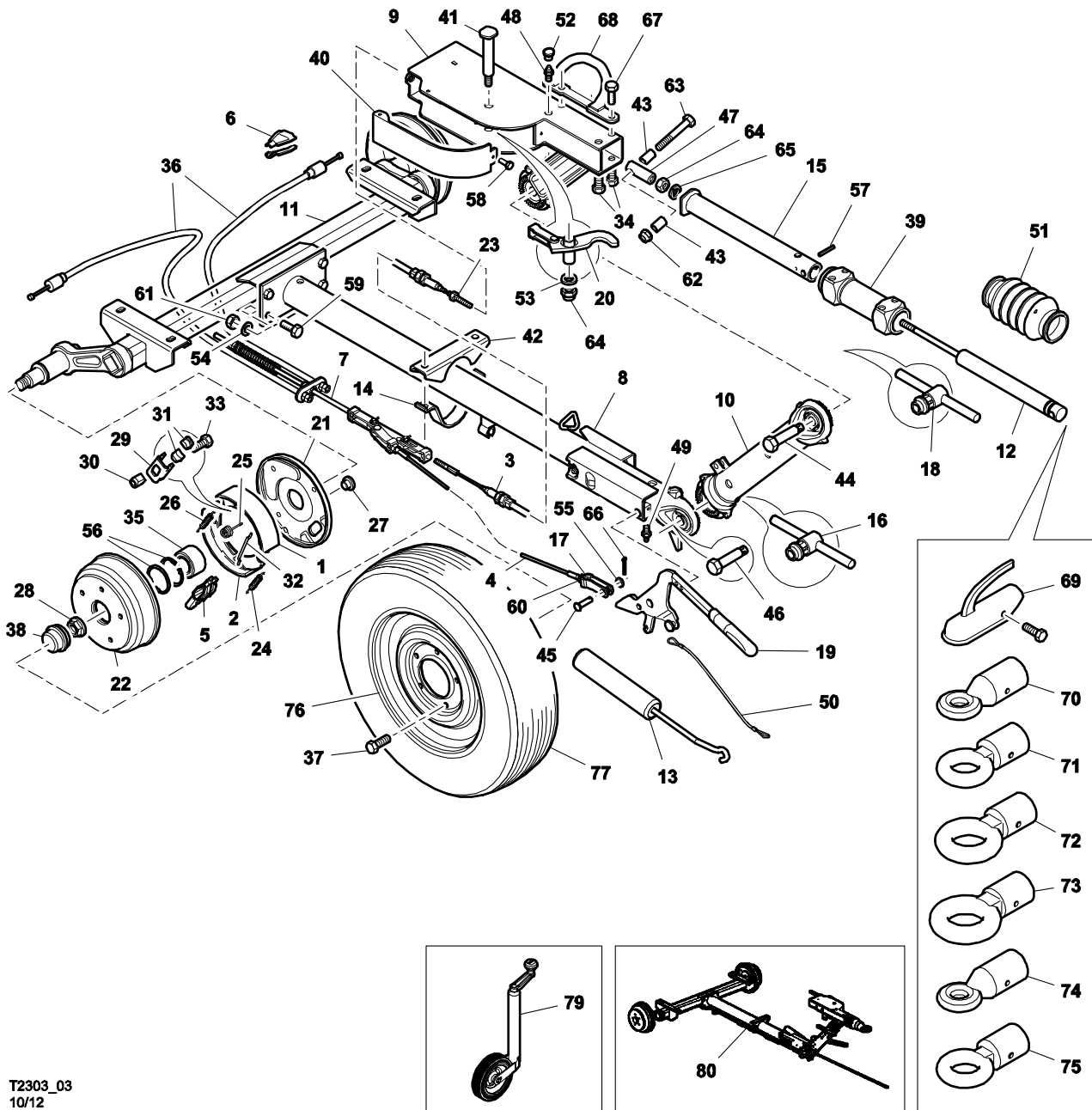


T2303_03
10/12

RUNNING GEAR (CONT'D)
(variable height braked)

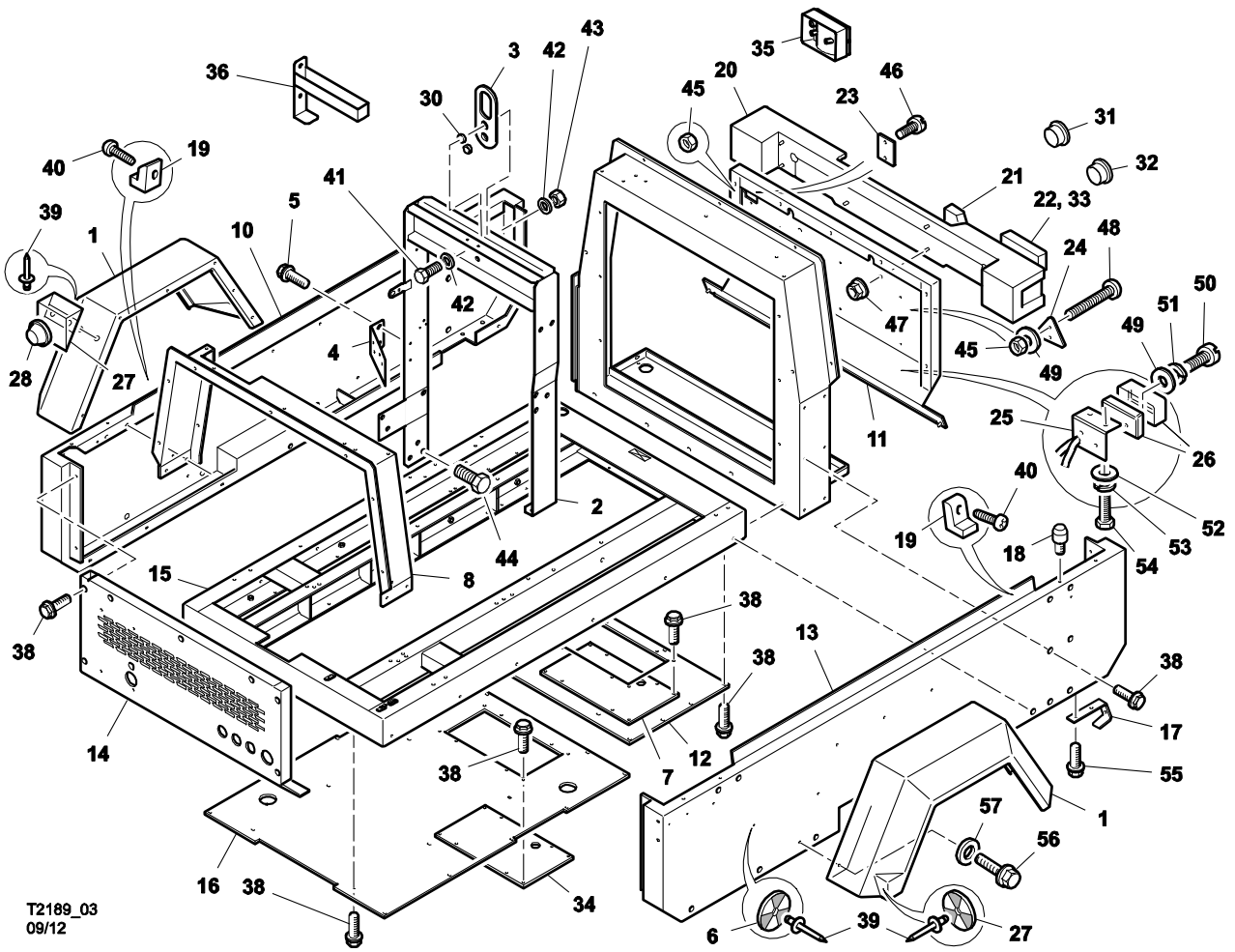
Item	Part Number	Description	Remarks	Serial Number	Qty
32	22241327	ROD			2
33	22241335	SCREW			2
34	22241343	SCREW			4
35	22051122	BEARING			2
36	22241145	CABLE			2
37	22241392	BOLT, WHEEL			10
38	22052161	CAP			2
39	22241038	PART			1
40	22241046	COVER			1
41	22241053	BOLT			1
42	22241442	CLAMP			1
43	22051551	BUSH			2
44	22051700	BOLT			1
45	22241160	PIN			1
46	22241178	BOLT			1
47	22051544	JOINT			1
48	22241095	NIPPLE			2
49	22241400	NIPPLE			1
50	22241418	CABLE			1
51	22051510	COVER			1
52	22241426	CAP			2
53	22104806	WASHER			1
54	22104806	WASHER			4
55	22241491	WASHER			2
56	22241509	RING, RETAINING			4
57	22241517	PIN			1
58	22241533	SCREW			3
59	22357529	BOLT			4
60	22051577	NUT			2
61	22051494	NUT			4
62	22051494	NUT			2

RUNNING GEAR (CONT'D) (variable height braked)



T2303_03
10/12

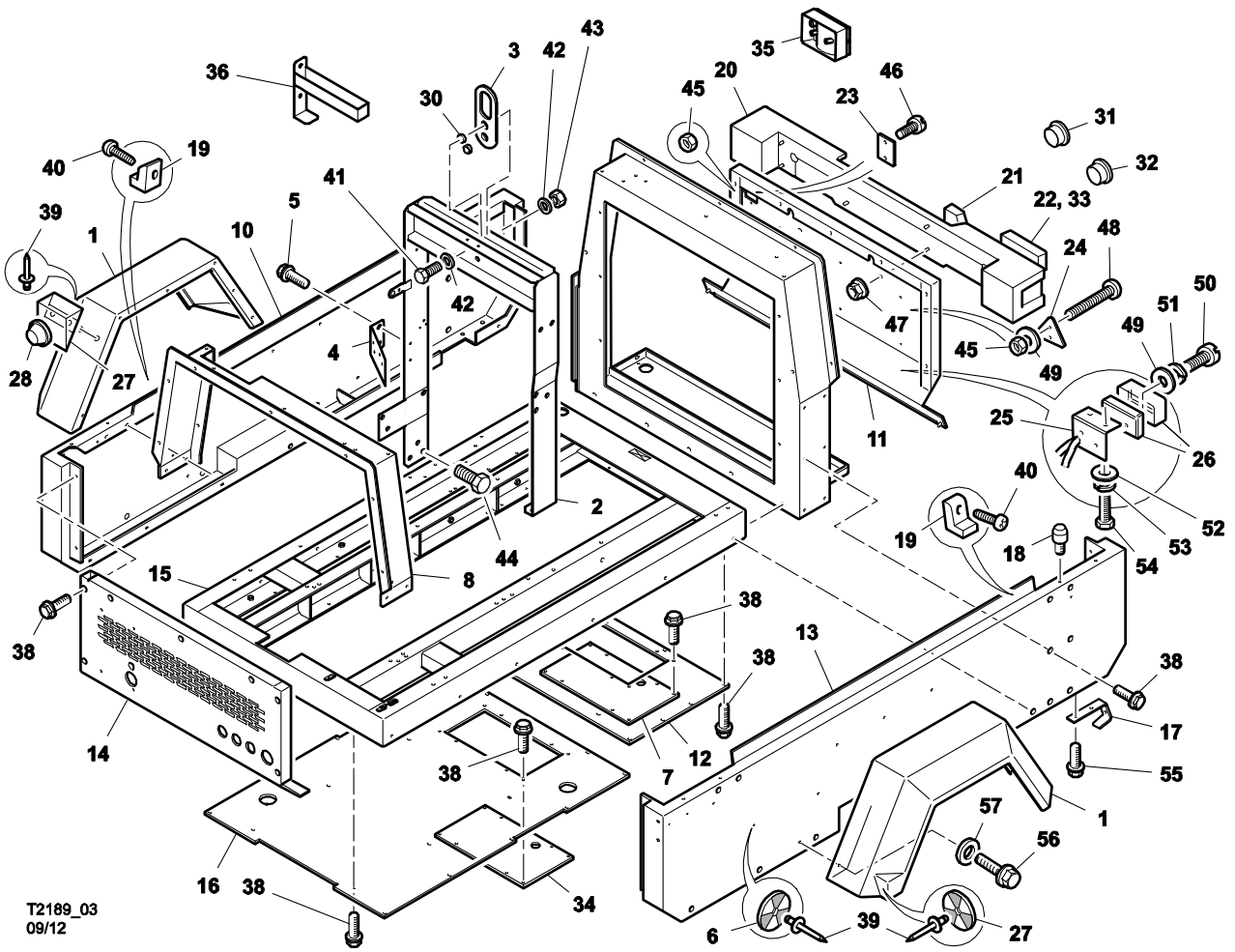
ENCLOSURE



ENCLOSURE

Item	Part Number	Description	Remarks	Serial Number	Qty
1	92816974	MUDGUARD			2
2	23307630	BAIL, LIFTING			1
3	54629753	EYE	(fixed)		1
3	54629761	EYE	(security)		1
4	23343601	BRACKET			1
5	92972140	SCREW			2
6	92121243	REFLECTOR, AMBER			4
7	36867174	PANEL			1
8	54501648	SUPPORT			1
9	54511209	SUPPORT			1
10	54730254	PANEL			1
11	88132386	PANEL			1
12	54512793	PANEL			1
13	54652862	PANEL			1
14	54652870	PANEL			1
15	23328040	FRAME			1
16	54563663	PANEL			1
17	92807585	PROTECTOR			2
18	92035187	PIN, LOCATING			
19	92799519	PROTECTOR, REAR			4
20	92816982	BAR, BUMPER			1
21	92901230	LAMP, REGISTRATION PLATE			2
22	92901222	LAMP, TAIL/STOP/FLASH			2
23	92822378	PLATE, COVER			1
24	92721331	REFLECTOR, RED			2
25	89203822	BRACKET			1
26	93477388	LAMP, FOG			1
27	92085729	REFLECTOR, WHITE			2
28	54687801	BRACKET			2
29	92121250	LIGHT, FRONT SIDE			2
30	54629787	SPACER			4

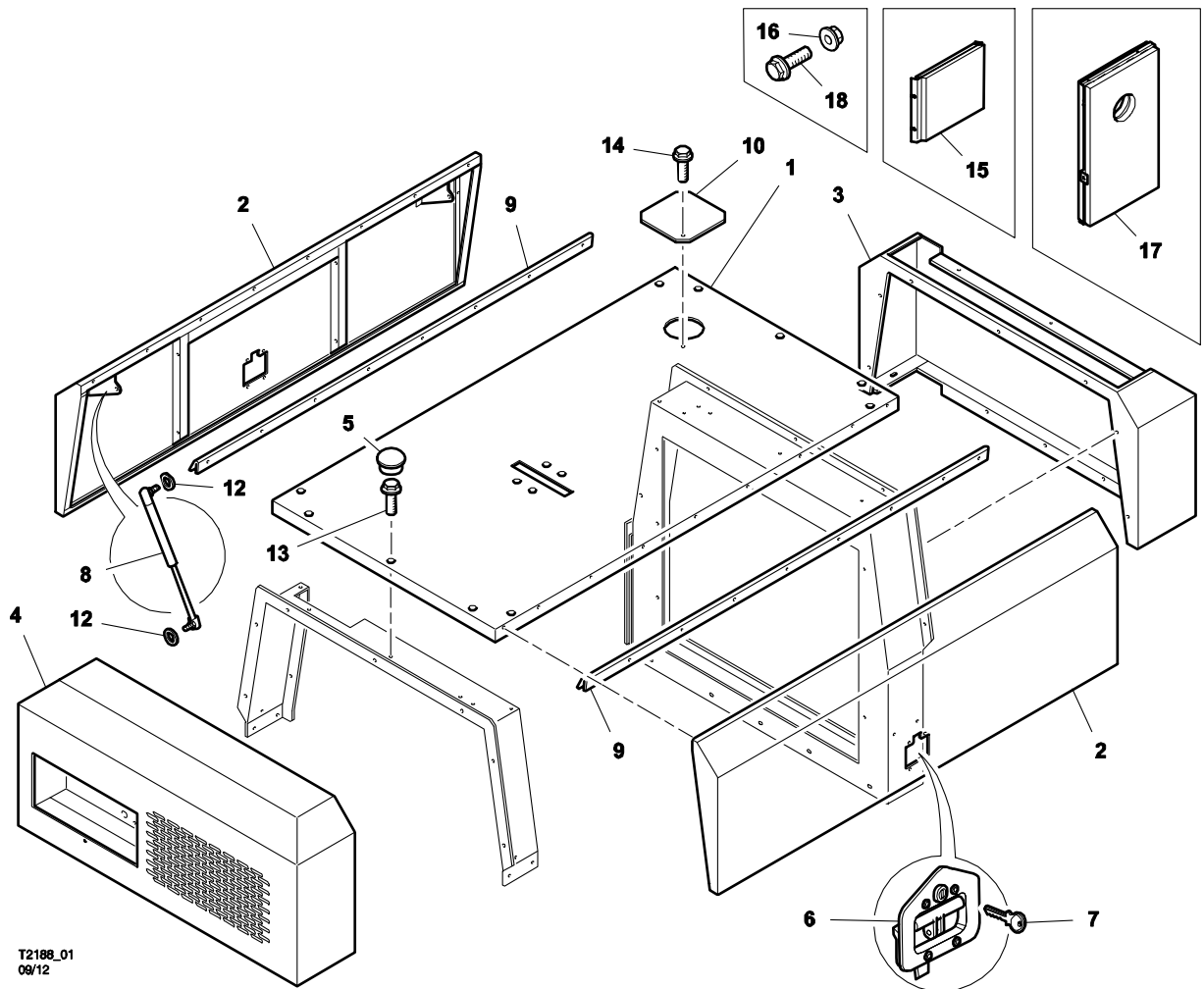
ENCLOSURE (CONT'D)



ENCLOSURE (CONT'D)

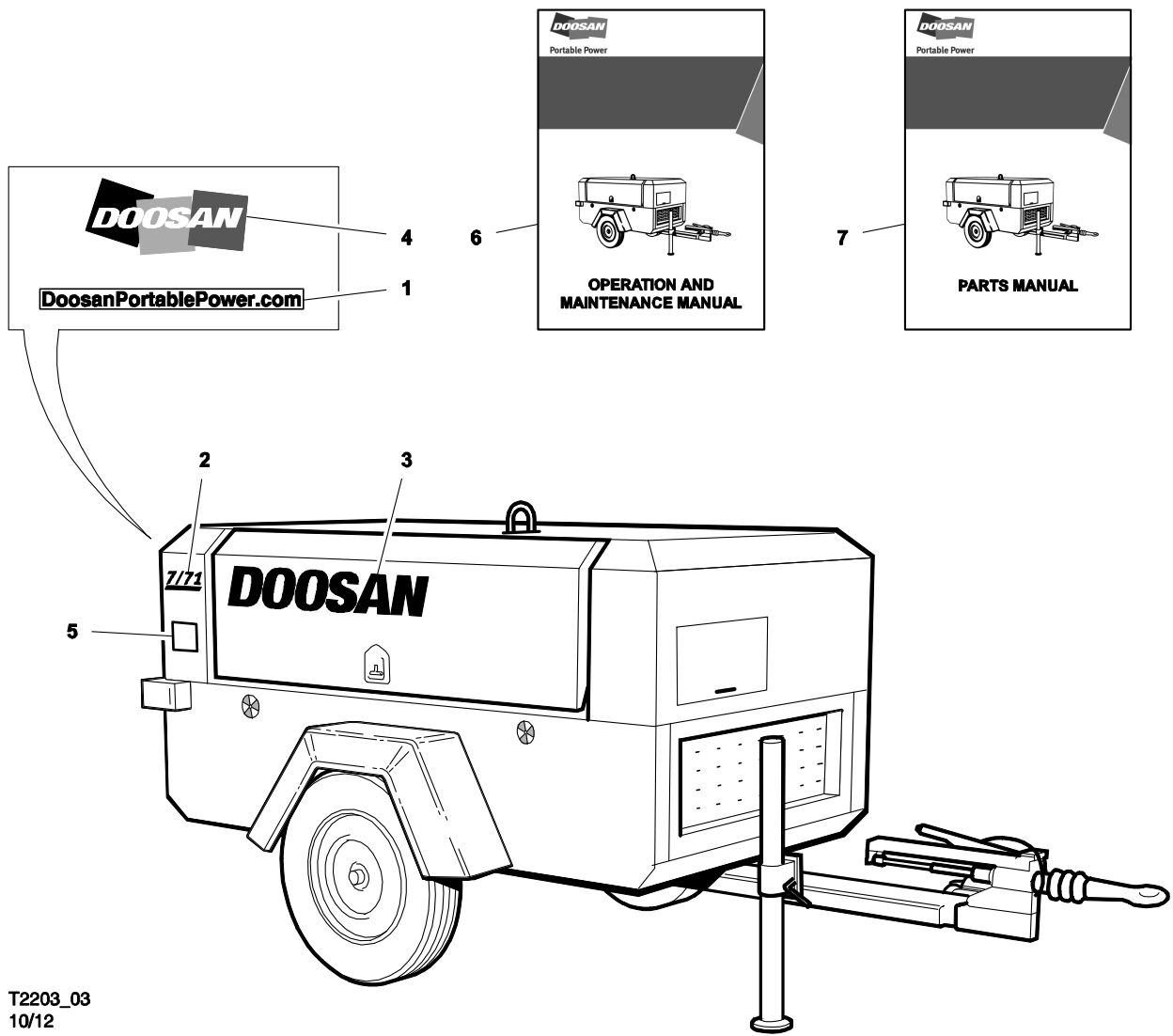
Item	Part Number	Description	Remarks	Serial Number	Qty
31	92783281	PLUG			3
32	92898758	PLUG			2
33	92479757	BULB, LIGHT			2
34	23228406	PANEL			1
35	23212863	LAMP, REVERSE			1
36	22716344	HOLDER, MANUAL			1
37	23329808	BAIL, LIFTING ASSEMBLY	W/Ref. 2-3 - (fixed)		1
37	23329782	BAIL, LIFTING ASSEMBLY	W/Ref. 2-3 - (security)		1
38	92184811	SCREW	order as required		x
39	92271915	RIVET	order as required		x
40	46584999	SCREW			4
41	92398239	SCREW			2
42	92757632	WASHER			4
43	92975689	NUT			2
44	92304435	BOLT	order as required		x
45	92340454	NUT	order as required		x
46	92659432	SCREW			2
47	92398114	NUT	order as required - (M8)		x
48	92879287	SCREW			4
49	92340439	WASHER			6
50	92050376	SCREW			2
51	92340447	WASHER, SPRING			2
52	92304583	WASHER			2
53	92304641	WASHER			2
54	92340058	SCREW			2
55	92472638	SCREW	order as required		x
56	35300771	SCREW	order as required		x
57	95094298	WASHER	order as required		x

ENCLOSURE



T2188_01
09/12

DECALS & DOCUMENTATION



T2203_03
10/12

DECALS & DOCUMENTATION

Item	Part Number	Description	Remarks	Serial Number	Qty
1	46556137	DECAL, BLACK WEB SITE			1
2	46576205	DECAL, MODEL NUMBER 7/71			2
2	46576206	DECAL, MODEL NUMBER 12/56			2
3	46573923	DECAL, DOOSAN LOGO			2
4	46573861	DECAL, DOOSAN TRI-COLOUR			1
5	22062335	DECAL, SOUND POWER			1
6	23344104	MANUAL, OPERATION AND MAINTENANCE	(en)		1
6	23344260	MANUAL, OPERATION AND MAINTENANCE	(bg)		1
6	46552247	MANUAL, OPERATION AND MAINTENANCE	(da)		1
6	46552250	MANUAL, OPERATION AND MAINTENANCE	(nl)		1
6	46552251	MANUAL, OPERATION AND MAINTENANCE	(fi)		1
6	46552249	MANUAL, OPERATION AND MAINTENANCE	(fr)		1
6	46552248	MANUAL, OPERATION AND MAINTENANCE	(de)		1
6	46552255	MANUAL, OPERATION AND MAINTENANCE	(it)		1
6	46552252	MANUAL, OPERATION AND MAINTENANCE	(no)		1
6	23344294	MANUAL, OPERATION AND MAINTENANCE	(pl)		1
6	46552256	MANUAL, OPERATION AND MAINTENANCE	(pt)		1
6	23344278	MANUAL, OPERATION AND MAINTENANCE	(ro)		1
6	23344252	MANUAL, OPERATION AND MAINTENANCE	(ru)		1
6	46552254	MANUAL, OPERATION AND MAINTENANCE	(es)		1
6	46552253	MANUAL, OPERATION AND MAINTENANCE	(sv)		1
7	23361439	MANUAL, PARTS CATALOGUE	(en)		1

DECALS & DOCUMENTATION



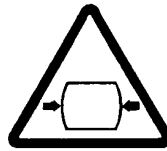
1



2



3



4



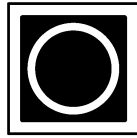
5



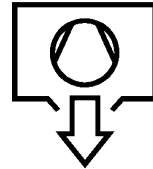
6



7



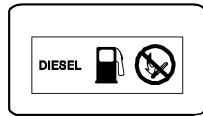
8



9



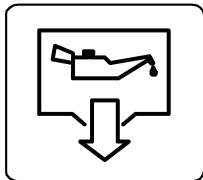
10



11



14



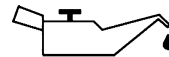
12



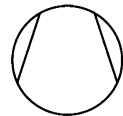
13



17



18



19



15



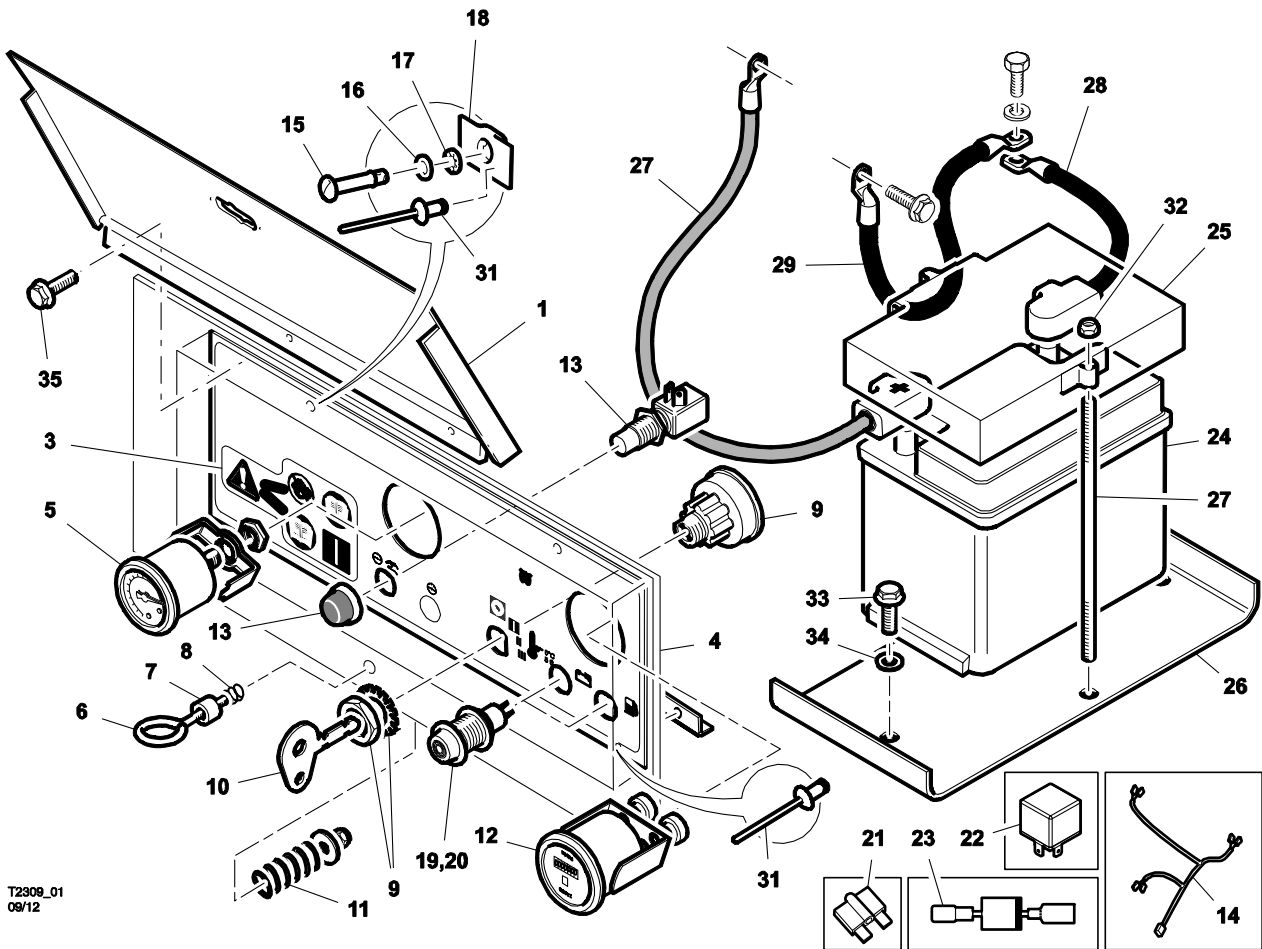
16

T2892_00
09/12

DECALS & DOCUMENTATION

Item	Part Number	Description	Remarks	Serial Number	Qty
1	92930593	DECAL, ELECTRIC SHOCK			1
2	92867530	DECAL, HOT SURFACE			1
3	92930601	DECAL, CORROSIVE SUBSTANCE			1
4	92930585	DECAL, PRESSURISED VESSEL			1
5	92930668	DECAL, NO MAINT/READ MANUAL			1
6	93165959	DECAL, ROTATING FAN			1
7	92867449	DECAL, REFER TO HANDBOOK			2
8	92930650	DECAL, EMERGENCY STOP			1
9	93171247	DECAL, COOLANT DRAIN			1
10	92867415	DECAL, CLOSE DOORS			1
11	93171254	DECAL, DIESEL FUEL			1
12	93171239	DECAL, ENGINE OIL DRAIN			1
13	93171262	DECAL, LIFT/TIE POINT			3
14	93465383	DECAL, SERVICE VALVE			1
15	89298491	DECAL, PROTEC OIL			1
16	92976042	DECAL, EXHAUST GAS DISCHARGE			1
17	93194413	DECAL, DO NOT STAND			1
18	93171270	DECAL, ENGINE OIL FILL			1
19	93171288	DECAL, COOLANT FILL			1

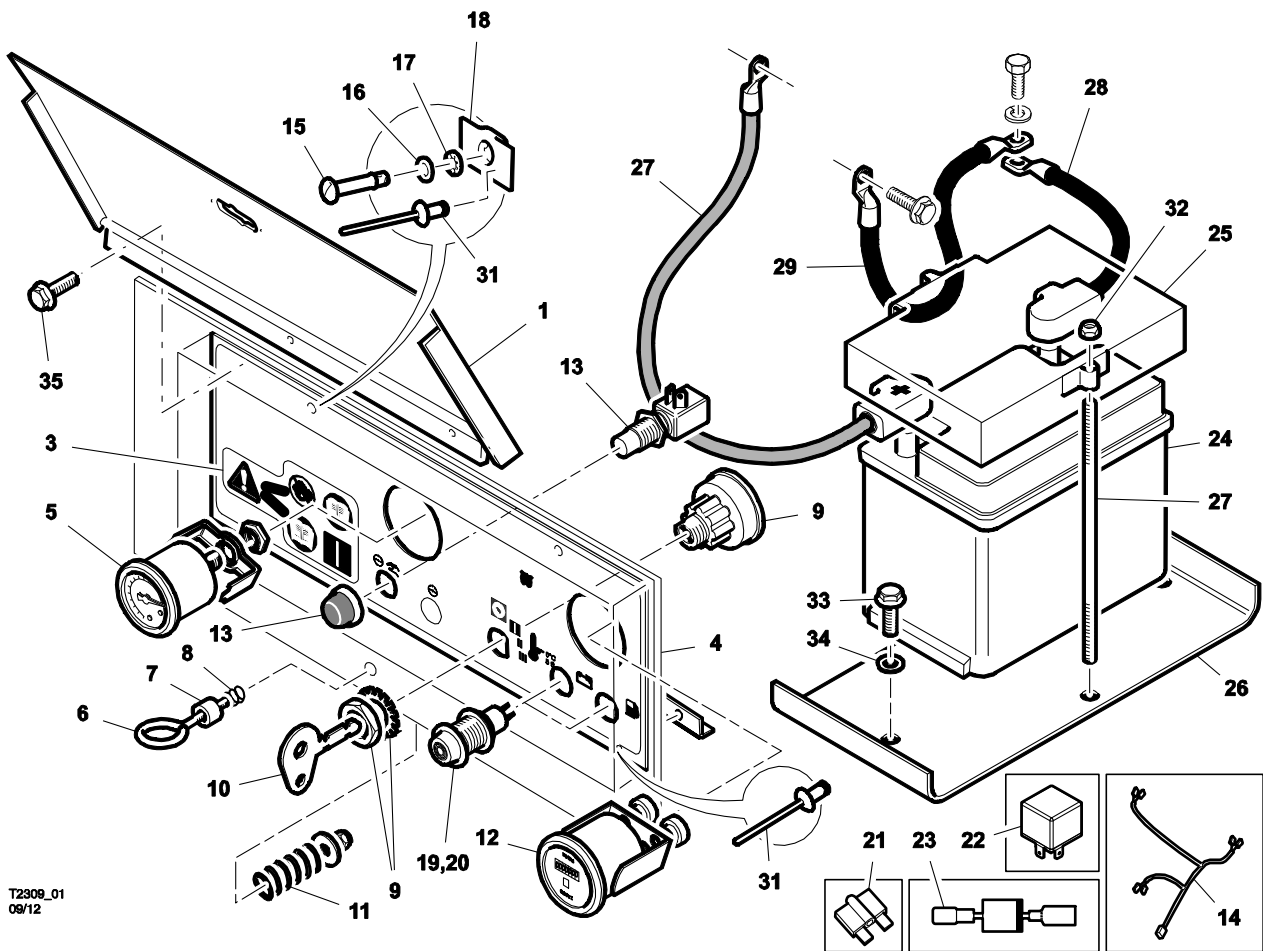
INSTRUMENTATION & ELECTRICS



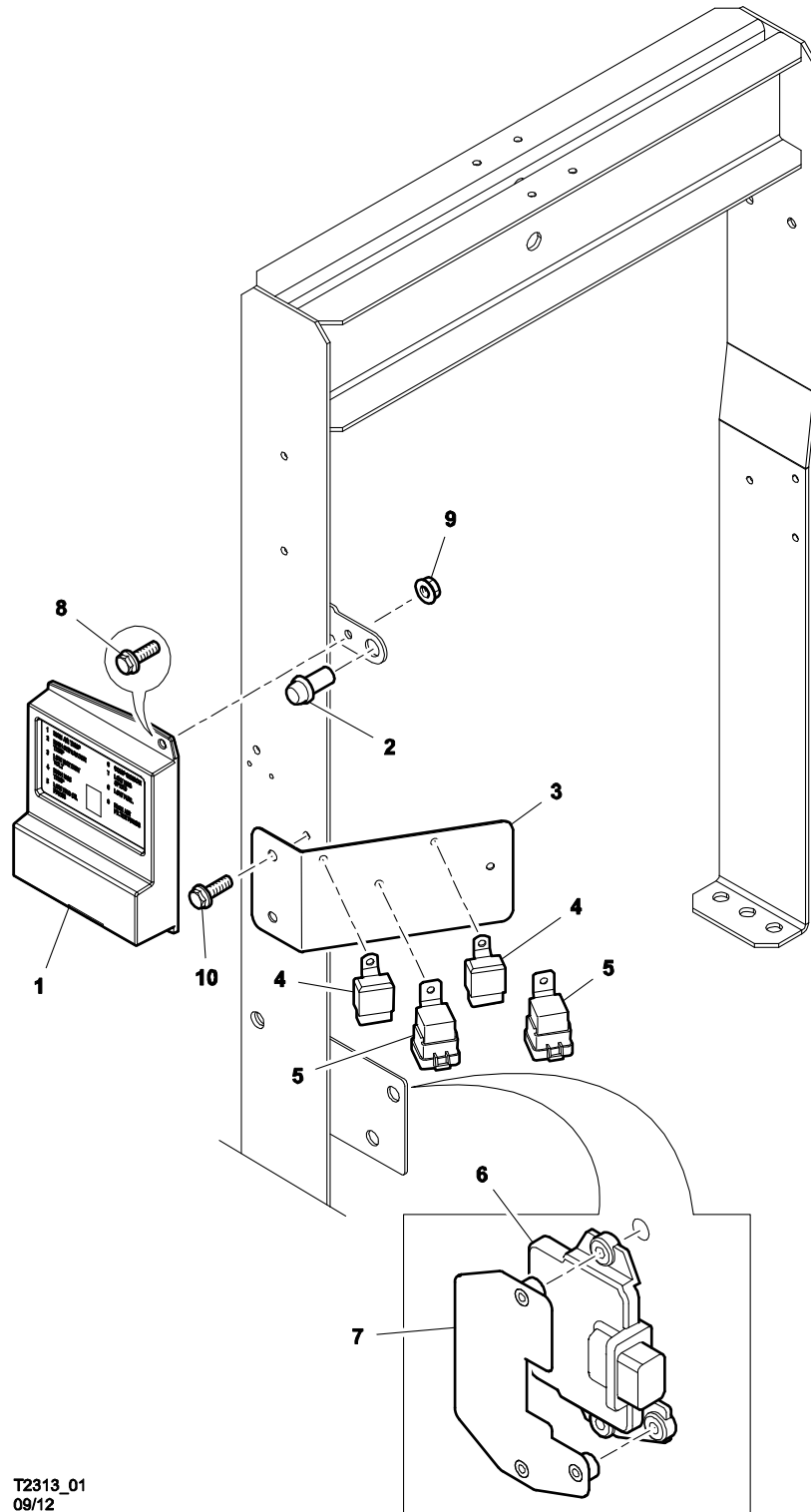
INSTRUMENTATION & ELECTRICS

Item	Part Number	Description	Remarks	Serial Number	Qty
1	88091095	DOOR ASSEMBLY			1
3	22184477	DECAL, FASCIA			1
4	23360993	PANEL, INSTRUMENT ASSEMBLY			1
5	93531184	GAUGE, PRESSURE			1
6	92790476	EYE			1
7	92799527	SPACER			1
8	35376342	SPRING			1
9	92086719	SWITCH, KEY			1
10	92075530	KEY			1
11	92799840	SPRING			1
12	92306901	HOURMETER			1
13	35255553	BUTTON, START / RUN			1
14	23343080	HARNESS			1
15	92659713	STUD			2
16	92042241	WASHER			2
17	92659747	WASHER			2
18	88091996	PLATE, RETAINING			2
19	93466381	LAMP, INDICATOR	(amber)		2
21	89284558	FUSE			1
22	92076173	RELAY			2
23	92969914	DIODE			6
24	22176655	BATTERY			1
25	92869528	COVER, BATTERY			1
26	54582325	DRIPTRAY			1
27	92776749	STUD			2
28	93193191	CABLE	(-)		1
29	92789734	CABLE, EARTH			1
30	23341092	CABLE	(+)		1
31	92368075	RIVET	order as required		x
32	92398106	NUT			2
33	92179043	SCREW			2

INSTRUMENTATION & ELECTRICS (CONT'D)



INSTRUMENTATION & ELECTRICS

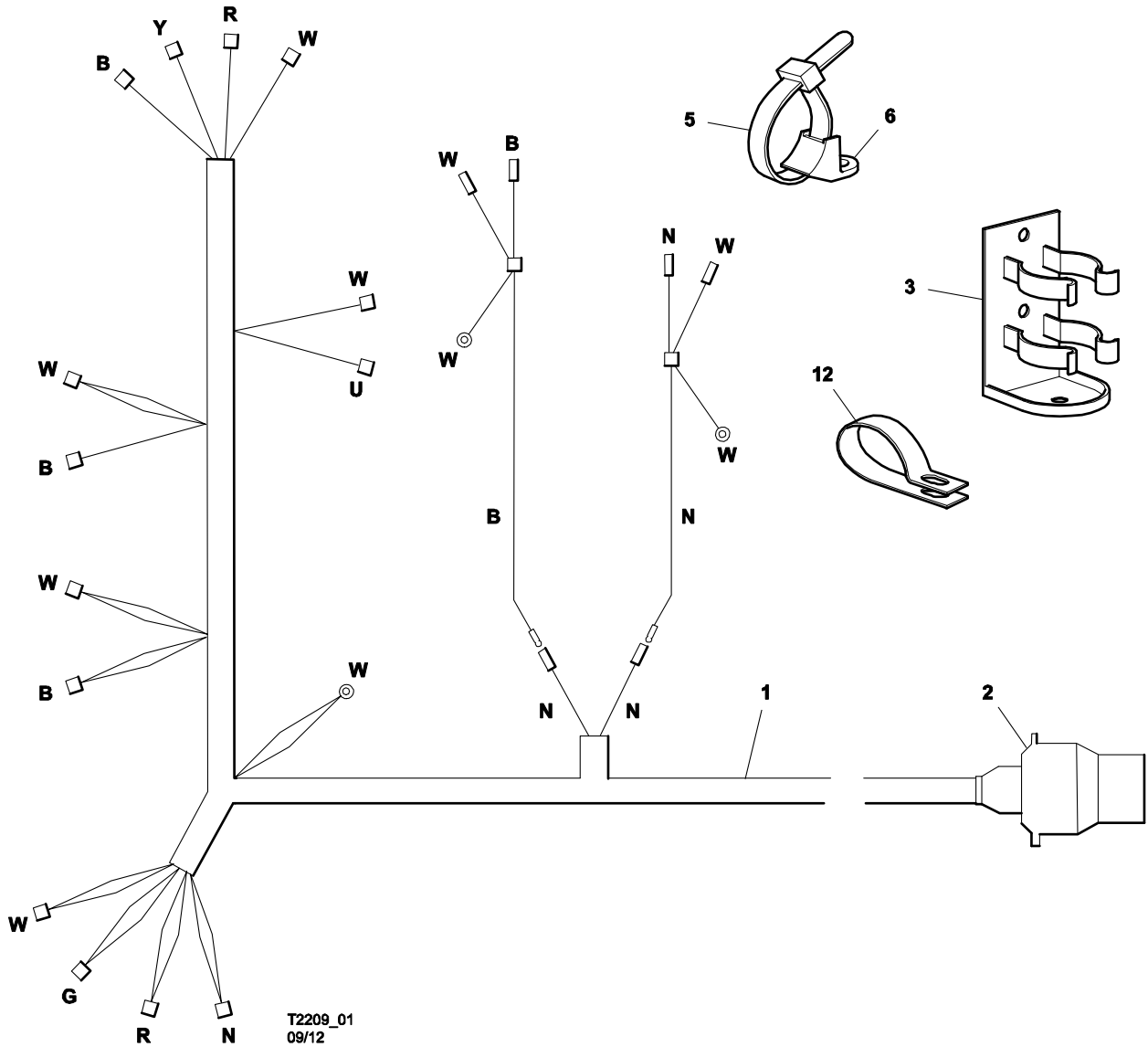


T2313_01
09/12

INSTRUMENTATION & ELECTRICS

Item	Part Number	Description	Remarks	Serial Number	Qty
1	46499364	CONTROLLER, SECU			1
2	23362841	LAMP			1
3	23343601	BRACKET			1
4	23286610	RELAY			2
5	36878361	RELAY			2
6	23286560	ECU			1
7	23261290	BRACKET			1
8	92096015	SCREW			2
9	96704176	NUT			2
10	92972140	SCREW			2

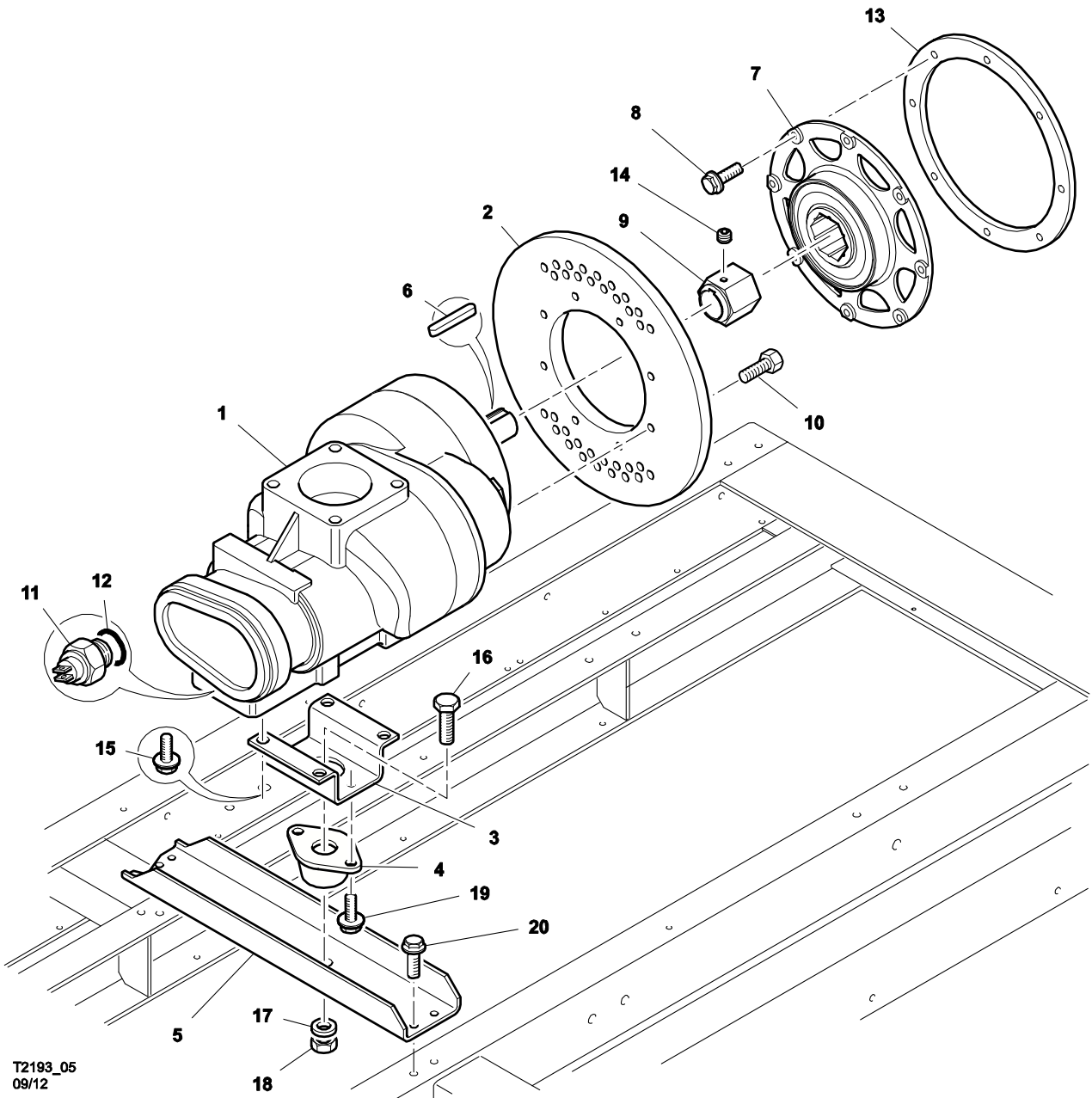
INSTRUMENTATION & ELECTRICS



INSTRUMENTATION & ELECTRICS

Item	Part Number	Description	Remarks	Serial Number	Qty
1	92961846	HARNESS			1
1	23359441	HARNESS	(reverse light)		1
2	92912351	PLUG			1
3	92280817	HOLDER			1
4	92253194	CLAMP, HOSE			8
5	92803808	CLIP, RETAINING			6
6	92803790	BASE, CABLE TIE			6

AIREND ASSEMBLY

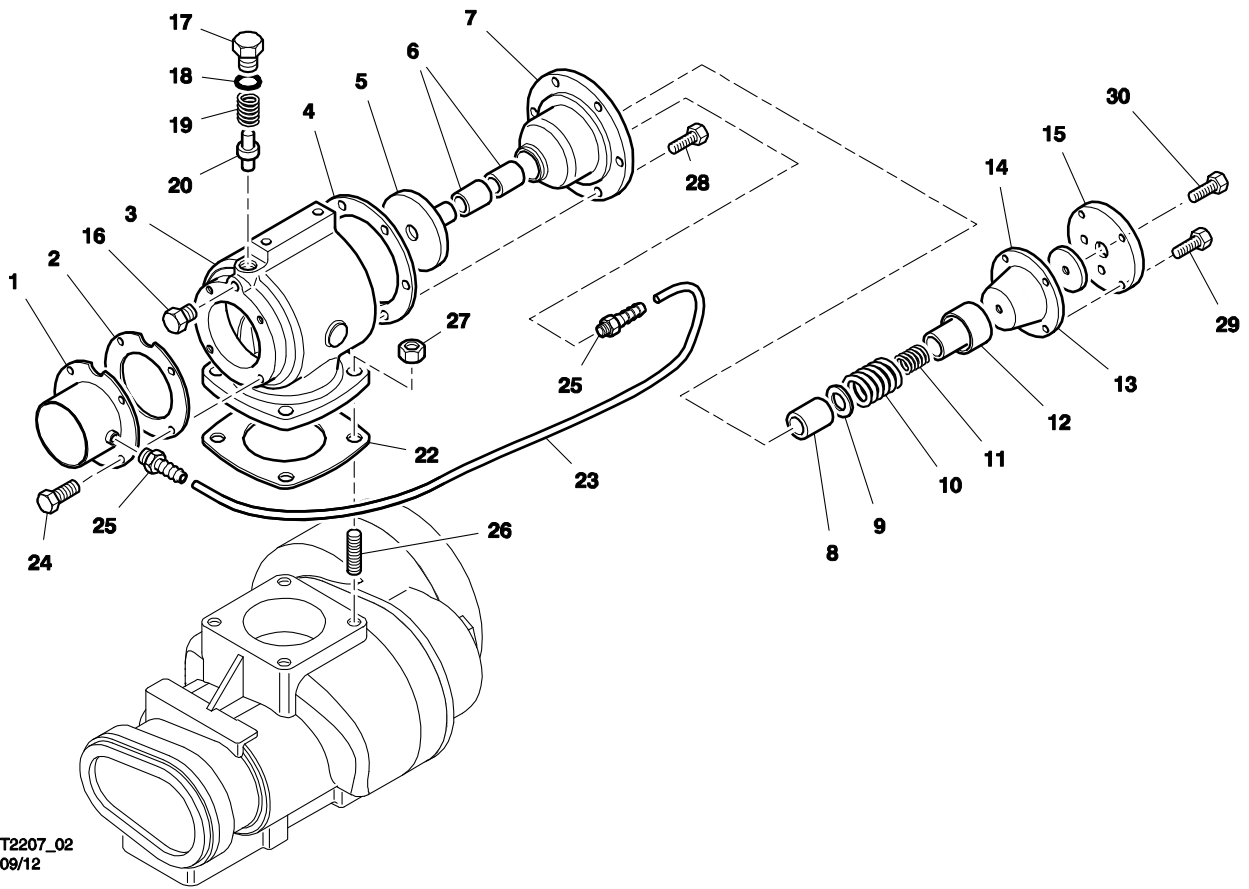


T2193_05
09/12

AIREND ASSEMBLY

Item	Part Number	Description	Remarks	Serial Number	Qty
1	54390943	AIREND			1
2	54390950	ADAPTOR			1
3	54471685	BRACKET			1
4	54471057	ISOLATOR			1
5	54471677	BRACKET			1
6	35321421	KEY			1
7	22314348	COUPLING			1
8	36880995	SCREW			8
9	54755111	COUPLING, HUB			1
10	93500924	SCREW			8
11	35596436	SWITCH, TEMPERATURE			1
12	39404165	O-RING			1
13	22317697	SPACER			1
14	95376943	SET SCREW			1
15	92750454	SCREW			4
16	92546613	BOLT			1
17	93545580	WASHER			1
18	92311695	LOCKNUT			1
19	92972140	SCREW			2
20	92101112	SCREW			4

AIREND ASSEMBLY

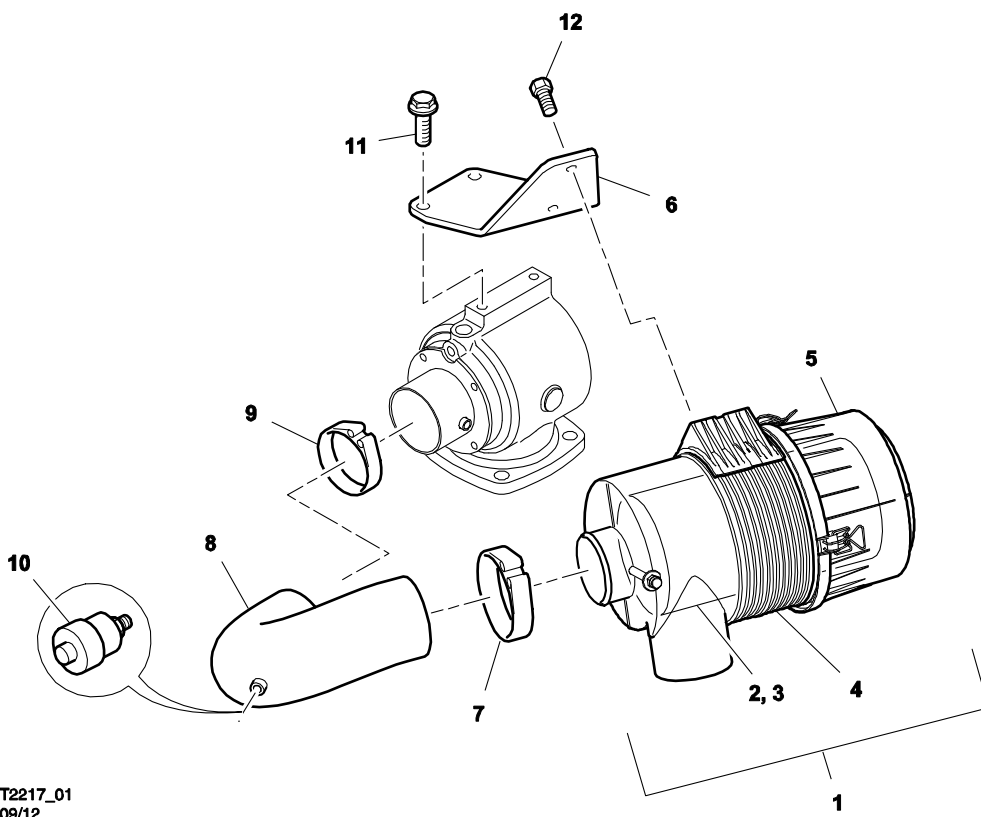


T2207_02
09/12

AIREND ASSEMBLY

Item	Part Number	Description	Remarks	Serial Number	Qty
1	93151959	FLANGE			1
2	35588318	GASKET, UNLOADER INLET			1
3	54425335	BODY			1
4	35588300	GASKET, PISTON			1
5	35591122	VALVE, UNLOADER			1
6	35318005	BUSHING, PISTON			2
7	35833227	HOUSING, PISTON			1
8	35318013	BUSHING, HOUSING			1
9	35317205	WASHER, PISTON	(43 mm)		1
10	35322767	SPRING, PISTON			1
11	92829233	SPRING			1
12	35588193	PISTON, UNLOADER			1
13	35317197	DIAPHRAGM			1
14	35317239	WASHER, PISTON	(64 mm)		1
15	35836949	COVER, PISTON			1
16	92497700	PLUG			1
17	35278555	PLUG, ADAPTER			1
18	35278589	O-RING			1
19	35318914	SPRING			1
20	35317213	PIN			1
21	54436845	VALVE ASSEMBLY, UNLOADER	W/Ref. 3-20		1
22	36889202	GASKET			1
23	35282292	TUBING, TYGON	(0,4 m long) - (3,2 mm (1/8") ID)		1
24	92304336	SCREW			4
25	35316587	ADAPTOR, BARBED			2
26	92040294	STUD			4
27	90103839	NUT			4
28	92304401	SCREW			6
29	92304351	SCREW			4
30	35321595	SCREW			1

AIR INTAKE

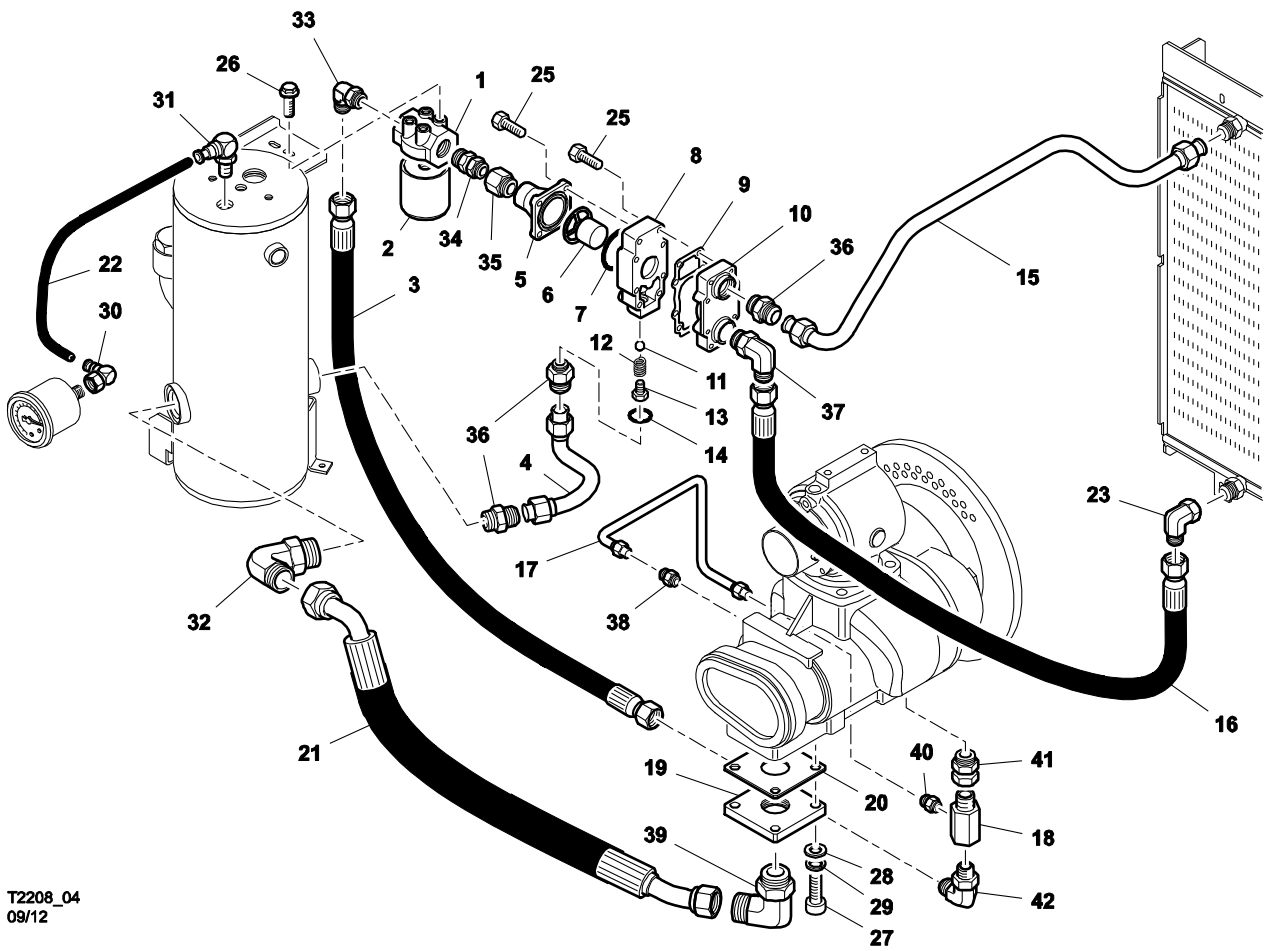


T2217_01
09/12

AIR INTAKE

Item	Part Number	Description	Remarks	Serial Number	Qty
1	22272611	AIR FILTER ASSEMBLY	W/Ref. 2-5		1
2	54626452	ELEMENT, AIR FILTER	(airend)		1
3	54751532	ELEMENT, AIR FILTER	(safety)		1
4	85433860	BRACKET, SUPPORT			1
5	85433878	CAP, END			1
6	22173231	BRACKET			1
7	92117696	CLAMP			1
8	54624754	HOSE			1
9	92172600	CLAMP			1
10	35314939	INDICATOR, AIR RESTRICTION			1
11	92176114	SCREW			2
12	95279025	SCREW			2

OIL/AIR PIPING

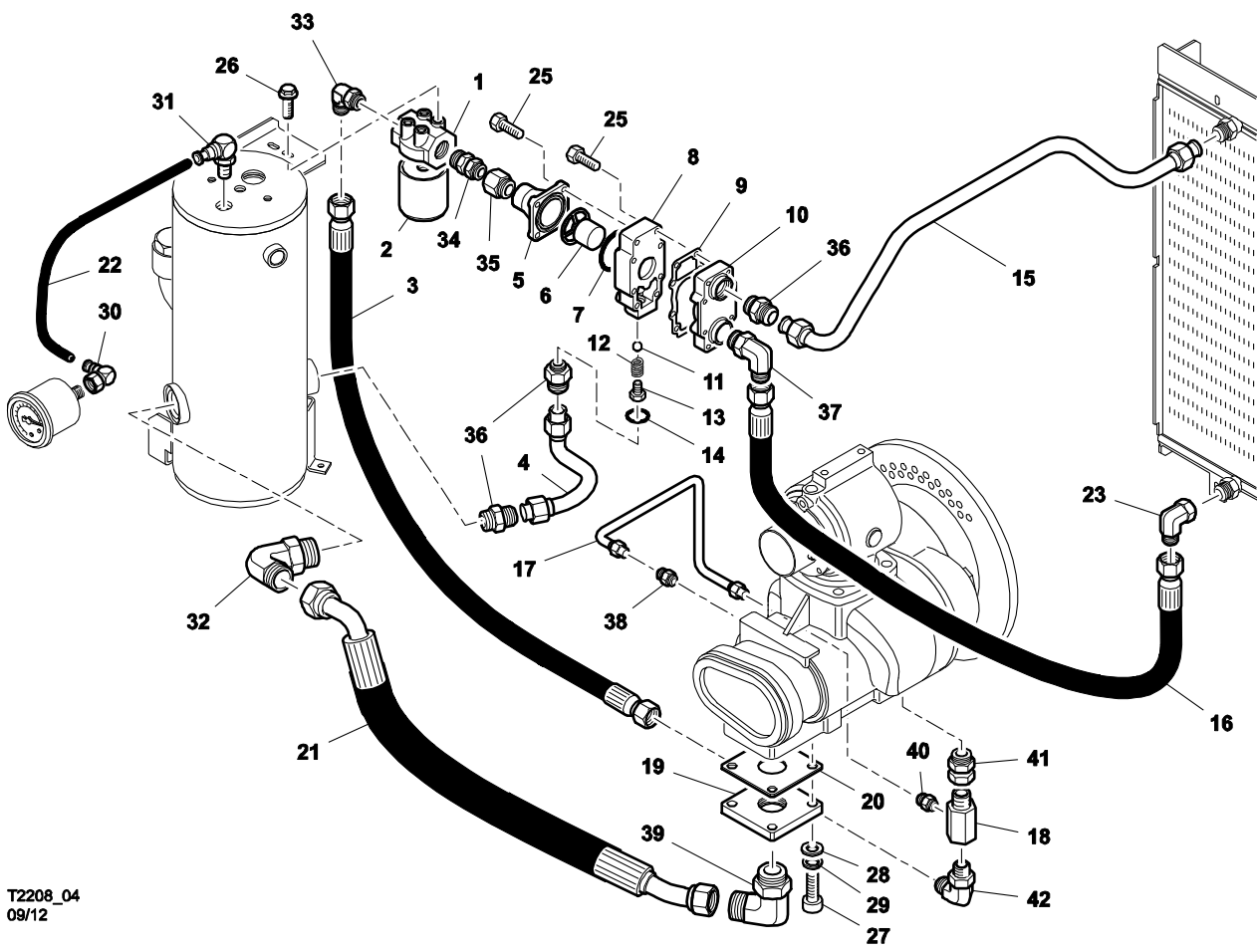


T2208_04
09/12

OIL/AIR PIPING

Item	Part Number	Description	Remarks	Serial Number	Qty
1	92079755	FILTER ASSEMBLY	W/Ref. 2		1
2	92118678	ELEMENT			1
3	35323864	HOSE ASSEMBLY			1
4	36923571	TUBE ASSEMBLY			1
5	36876779	COVER, OTBV			1
6	36782019	ELEMENT, THERMOSTATIC VALVE			1
7	95022307	O-RING			1
8	36876761	HOUSING			1
9	35584242	GASKET			1
10	36876753	HOUSING			1
11	35288448	BALL			1
12	35379940	SPRING			1
13	36788164	PLUG			1
14	36788172	SEAL			1
15	22177273	TUBE ASSEMBLY			1
16	35132877	HOSE ASSEMBLY			1
17	93481570	TUBE ASSEMBLY			1
18	93481562	MANIFOLD			1
19	93481448	ADAPTOR			1
20	93481455	GASKET			1
21	23226970	HOSE ASSEMBLY			1
22	92490358	TUBE, NYLON	(6 mm OD)		1
23	35307206	ELBOW			1
24	54414420	OTBV ASSEMBLY	W/Ref. 5-14		1
25	36786382	SCREW			8
26	92472638	SCREW			4
27	92750454	SCREW			4
28	93545580	WASHER			4
29	93502300	WASHER			4
30	92725837	ELBOW			1
31	92789296	ELBOW			1

OIL/AIR PIPING (CONT'D)

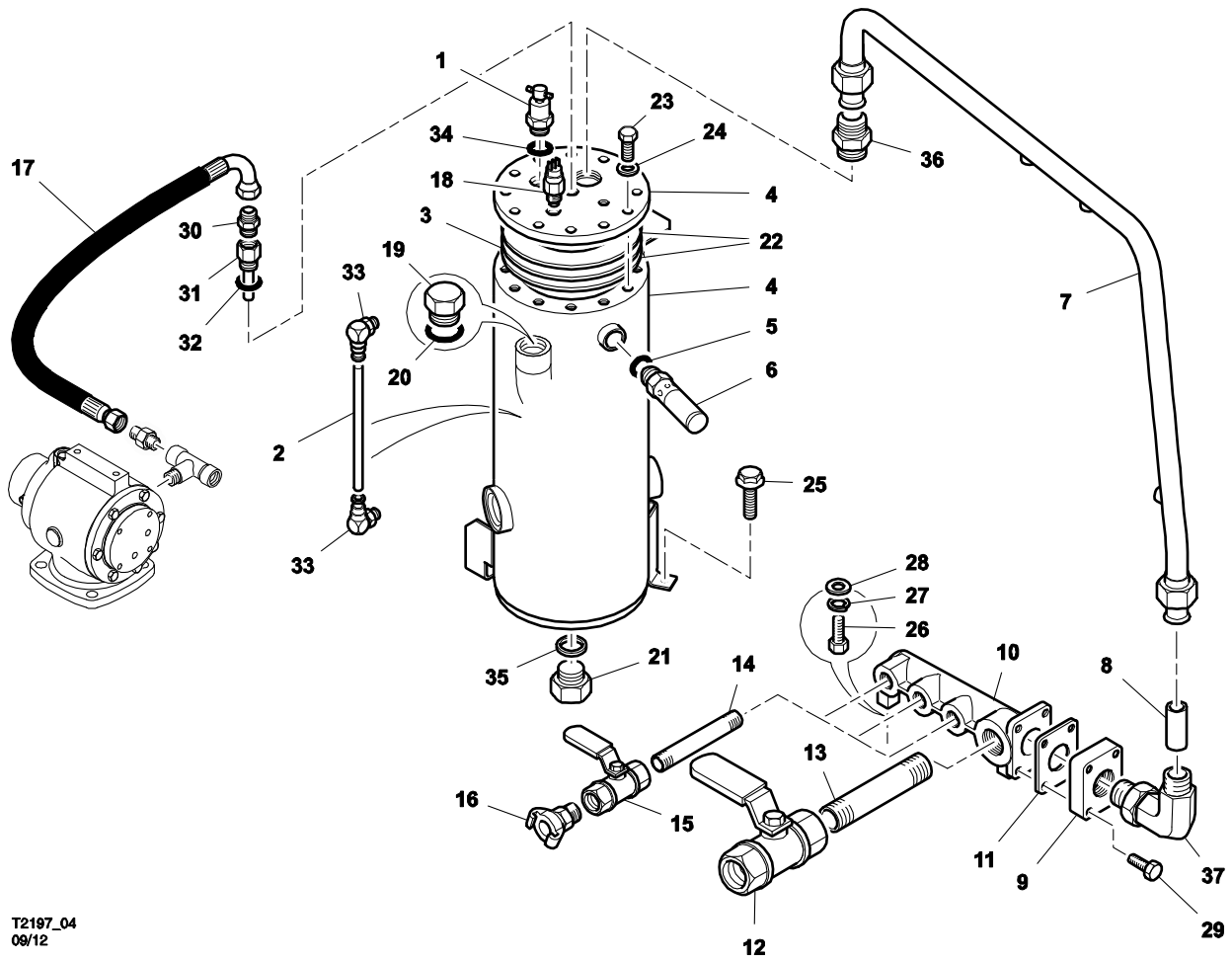


T2208_04
09/12

OIL/AIR PIPING (CONT'D)

Item	Part Number	Description	Remarks	Serial Number	Qty
32	92899426	ELBOW			1
33	92395508	ELBOW			1
34	92079326	CONNECTOR			1
35	89281760	CONNECTOR			1
36	95938148	CONNECTOR			3
37	35291384	ELBOW			1
38	88144266	ADAPTOR			1
39	92087832	ELBOW			1
40	92176916	CONNECTOR			1
41	93481554	ADAPTOR			1
42	35301506	ELBOW			1

OIL/AIR PIPING

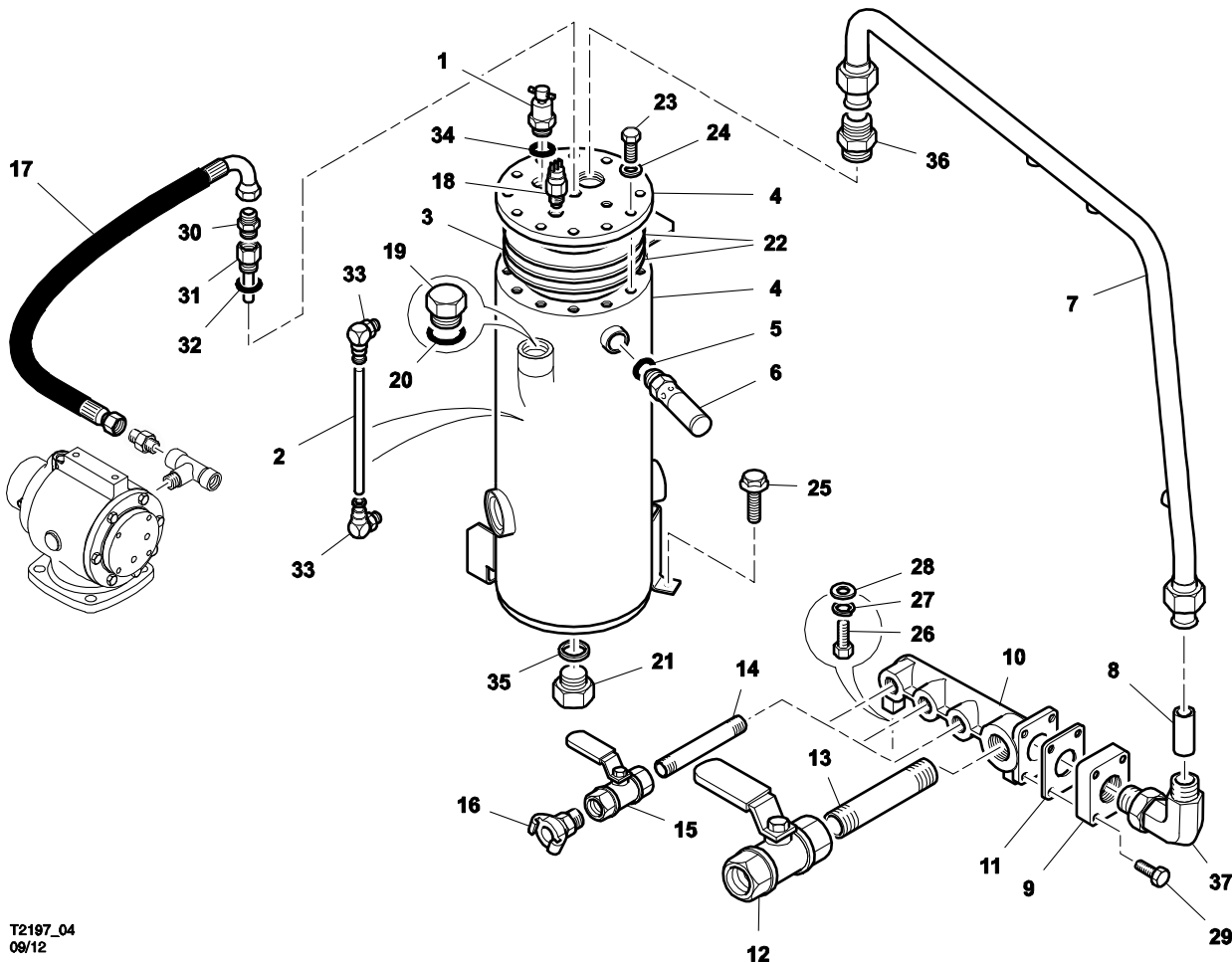


T2197_04
09/12

OIL/AIR PIPING

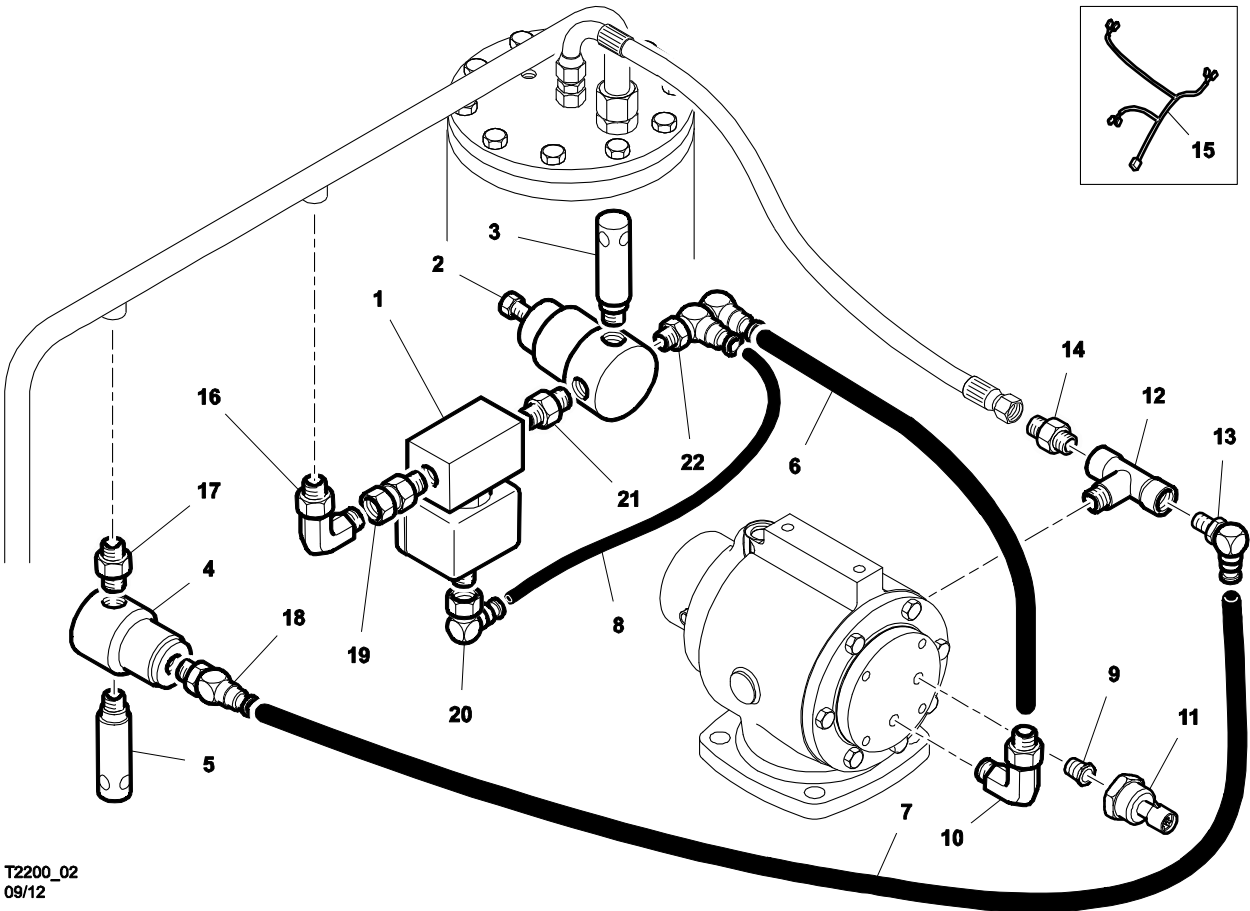
Item	Part Number	Description	Remarks	Serial Number	Qty
1	93181865	VALVE, RELIEF			1
2	89284871	TUBE			1
3	54625942	ELEMENT, SEPARATOR			1
4	54588009	TANK, SEPARATOR	(7/71)		1
4	54588017	TANK, SEPARATOR	(12/56)		1
5	92290162	SEAL			1
6	89259485	VALVE, SAFETY	(7/71)		1
6	89308191	VALVE, SAFETY	(12/56)		1
7	54525233	TUBE ASSEMBLY	(7/71)		1
7	54570338	TUBE ASSEMBLY	(12/56)		1
8	22454425	ORIFICE, SONIC	(7/71)		1
8	22454417	ORIFICE, SONIC	(12/56)		1
9	54573191	PLATE, ADAPTOR			1
10	36710036	MANIFOLD, SERVICE			1
11	35294628	GASKET, MANIFOLD			1
12	92111228	VALVE, BALL	(1 1/4" BSP)		1
13	92961077	NIPPLE			1
14	54580279	NIPPLE			3
15	92294461	VALVE, BALL	(3/4" BSP)		3
16	92178524	COUPLING	(7/71) - (19 mm)		3
16	92699461	COUPLING	(12/56)		3
17	54739701	HOSE ASSEMBLY			1
18	92762756	SWITCH, TEMPERATURE			1
19	35579630	PLUG			1
20	35279942	O-RING			1
21	93502128	PLUG			1
22	80022833	GASKET			2
23	92304443	SCREW			12
24	92304625	WASHER			12
25	92101112	SCREW	order as required		x
26	92304393	BOLT	order as required		x

OIL/AIR PIPING (CONT'D)



T2197_04
09/12

REGULATION SYSTEM

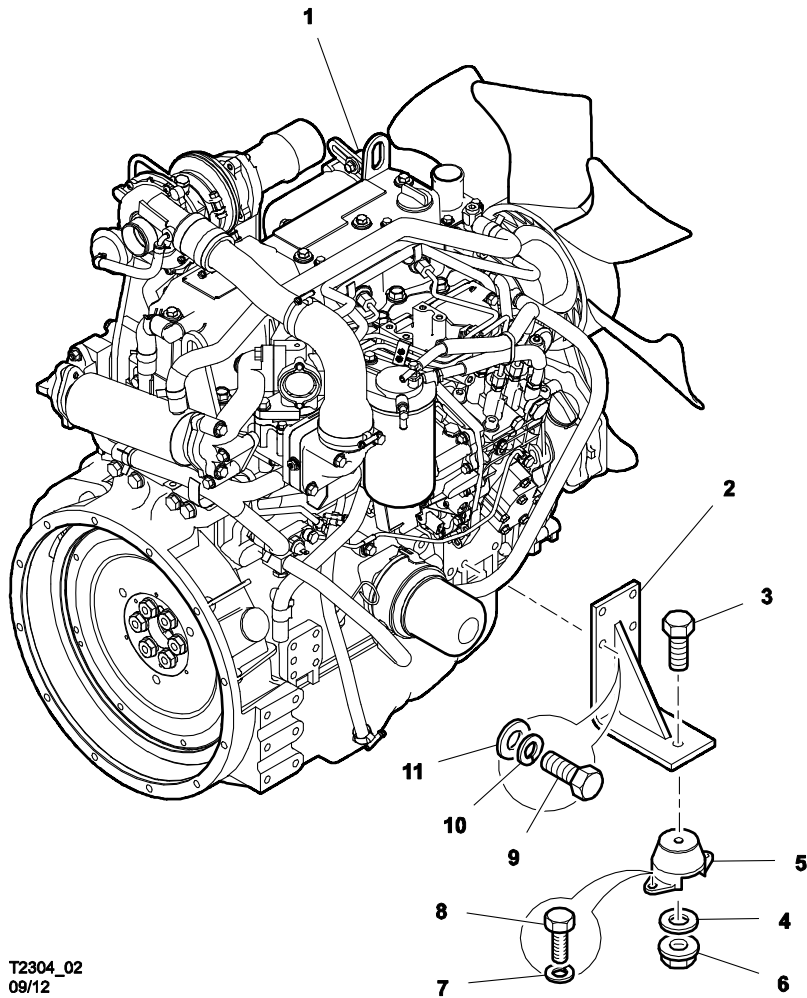


T2200_02
09/12

REGULATION SYSTEM

Item	Part Number	Description	Remarks	Serial Number	Qty
1	92793124	VALVE, SOLENOID			1
2	35355106	REGULATOR	(7/71)		1
2	35359090	REGULATOR	(12/56)		1
3	92549195	ORIFICE, SILENCER			1
4	54748363	VALVE, BLOWDOWN			1
5	92549369	ORIFICE, SILENCER			1
6	92799378	TUBE, NYLON	(1,0 m long) - (8 mm OD)		1
7	92490358	TUBE, NYLON	(0,5 m long) - (6 mm OD)		1
8	92799378	TUBE, NYLON	(0,2 m long) - (8 mm OD)		1
9	95930301	BUSH			1
10	54403274	ELBOW			1
11	36920825	TRANSDUCER, PRESSURE	(0-100 psi)		1
12	95999058	TEE			1
13	54403266	ELBOW			1
14	35283472	CONNECTOR			1
15	23343080	HARNESS			1
16	92123207	ELBOW			1
17	92005701	NIPPLE			1
18	92788959	ADAPTOR			1
19	89299564	CONNECTOR			1
20	92799444	ELBOW			1
21	89253991	ADAPTOR			1
22	92799436	ELBOW			1

ENGINE ASSEMBLY

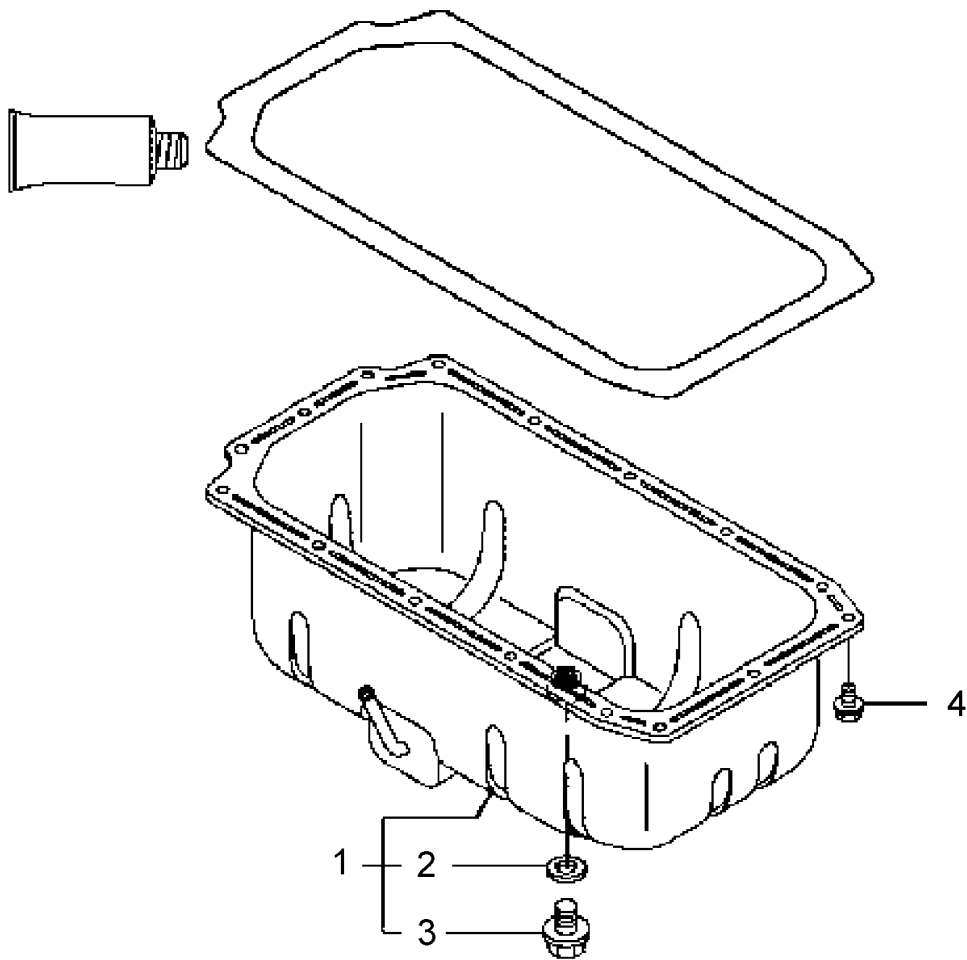


T2304_02
09/12

ENGINE ASSEMBLY

Item	Part Number	Description	Remarks	Serial Number	Qty
1	23189087	ENGINE			1
2	22197701	BRACKET			2
3	92472935	SCREW			2
4	92058429	WASHER			2
5	36875565	MOUNT			2
6	92304567	NUT			2
7	95934998	WASHER			4
8	90141078	BOLT			4
9	92280981	SCREW			8
10	92304674	LOCKWASHER			8
11	95935037	WASHER			8

OIL SUMP

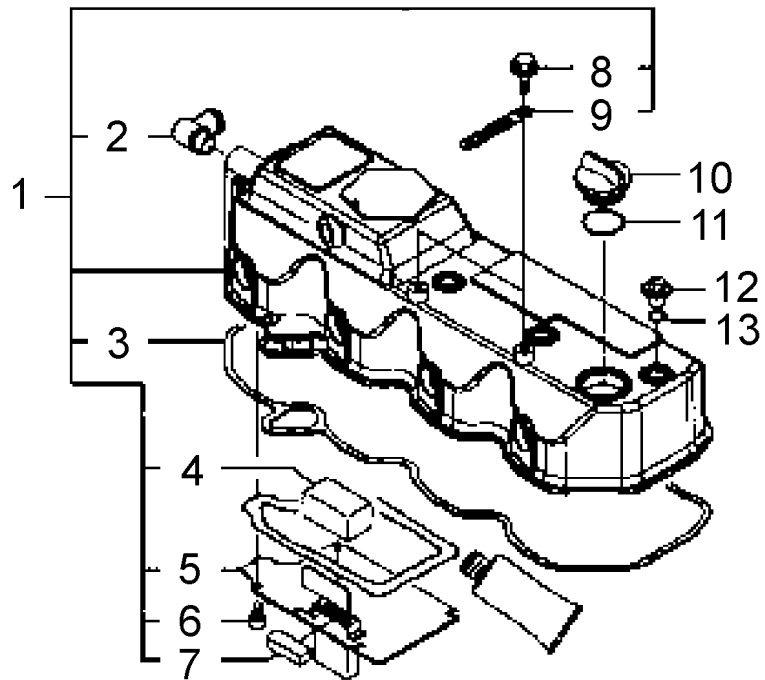


T2880_00
09/12

OIL SUMP

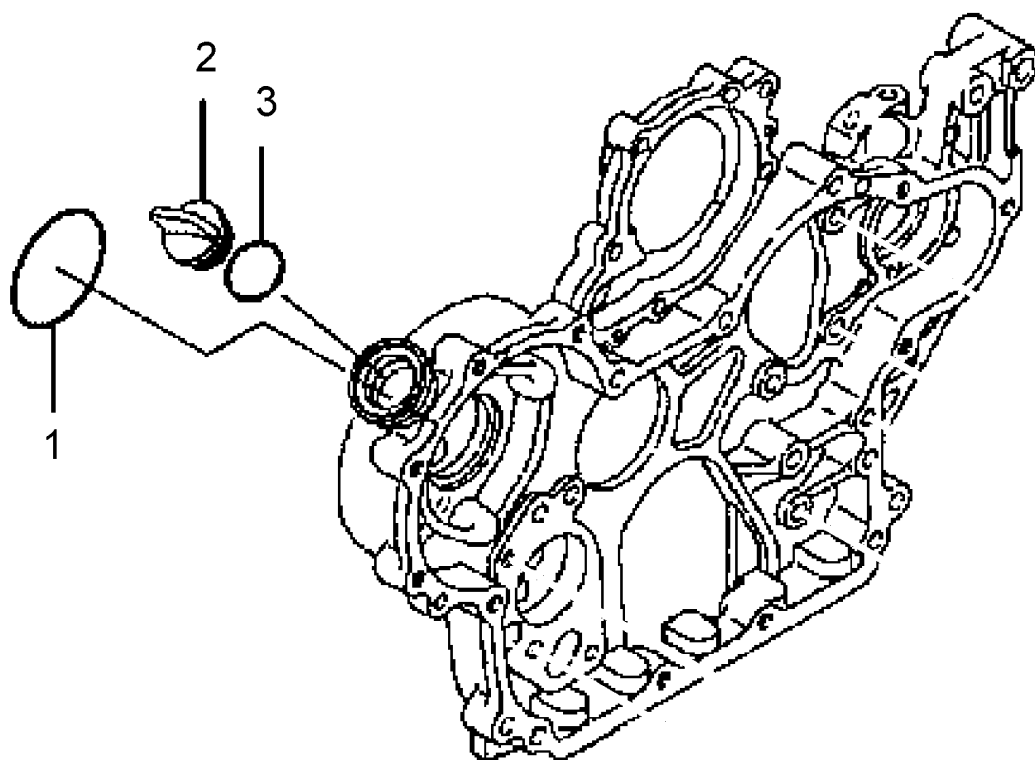
Item	Part Number	Description	Remarks	Serial Number	Qty
1	23285679	OIL PAN ASSEMBLY	W/Ref. 2-3		1
2	23285737	WASHER			1
3	23285711	PLUG			1
4	15899040	BOLT			16

VALVE COVER



T2881_00
09/12

OIL FILLER

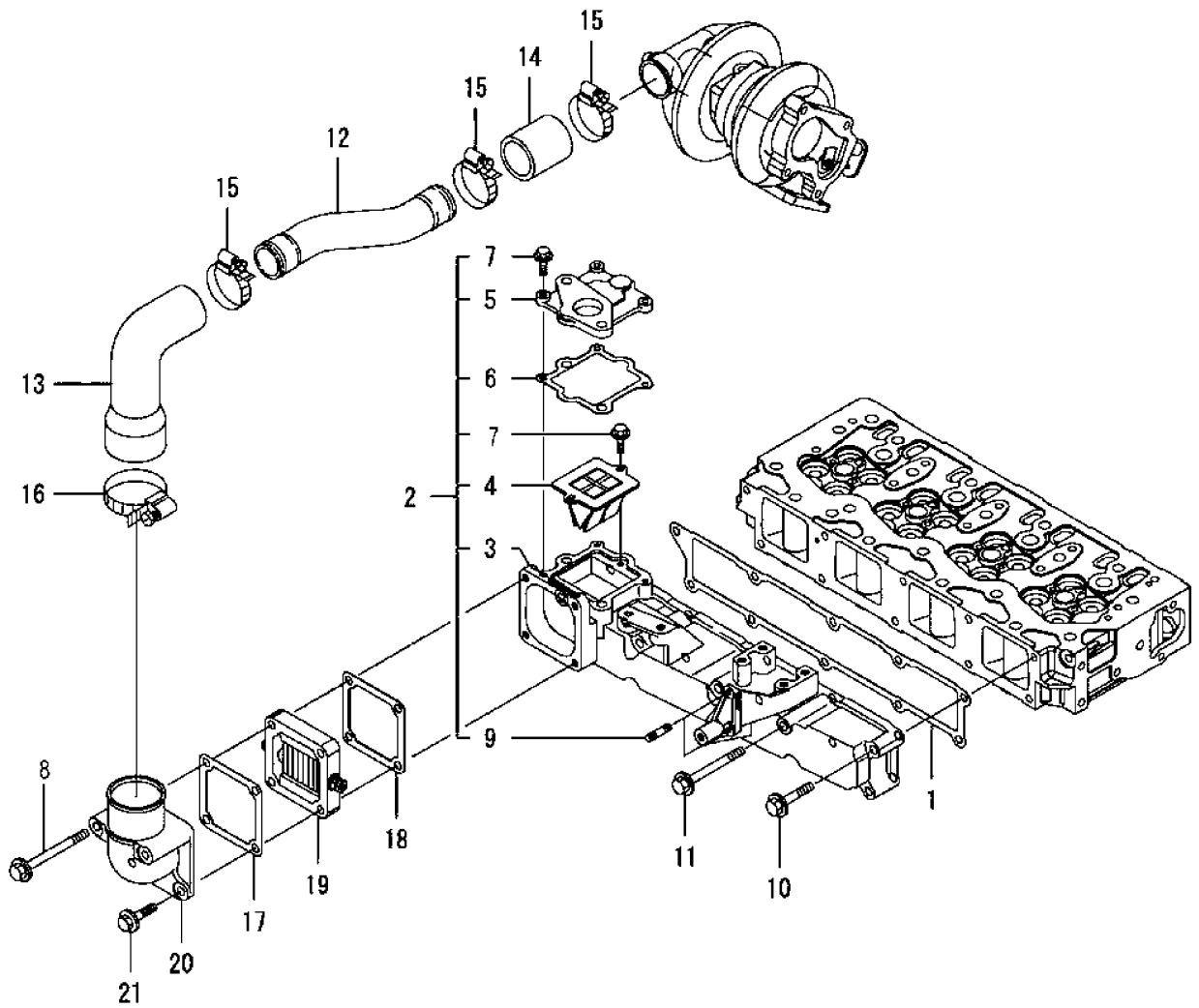


T2882_00
09/12

OIL FILLER

Item	Part Number	Description	Remarks	Serial Number	Qty
1	15895741	PACKING			1
2	15898182	CAP, OIL FILLER			1
3	15898984	O-RING			1

INTAKE MANIFOLD

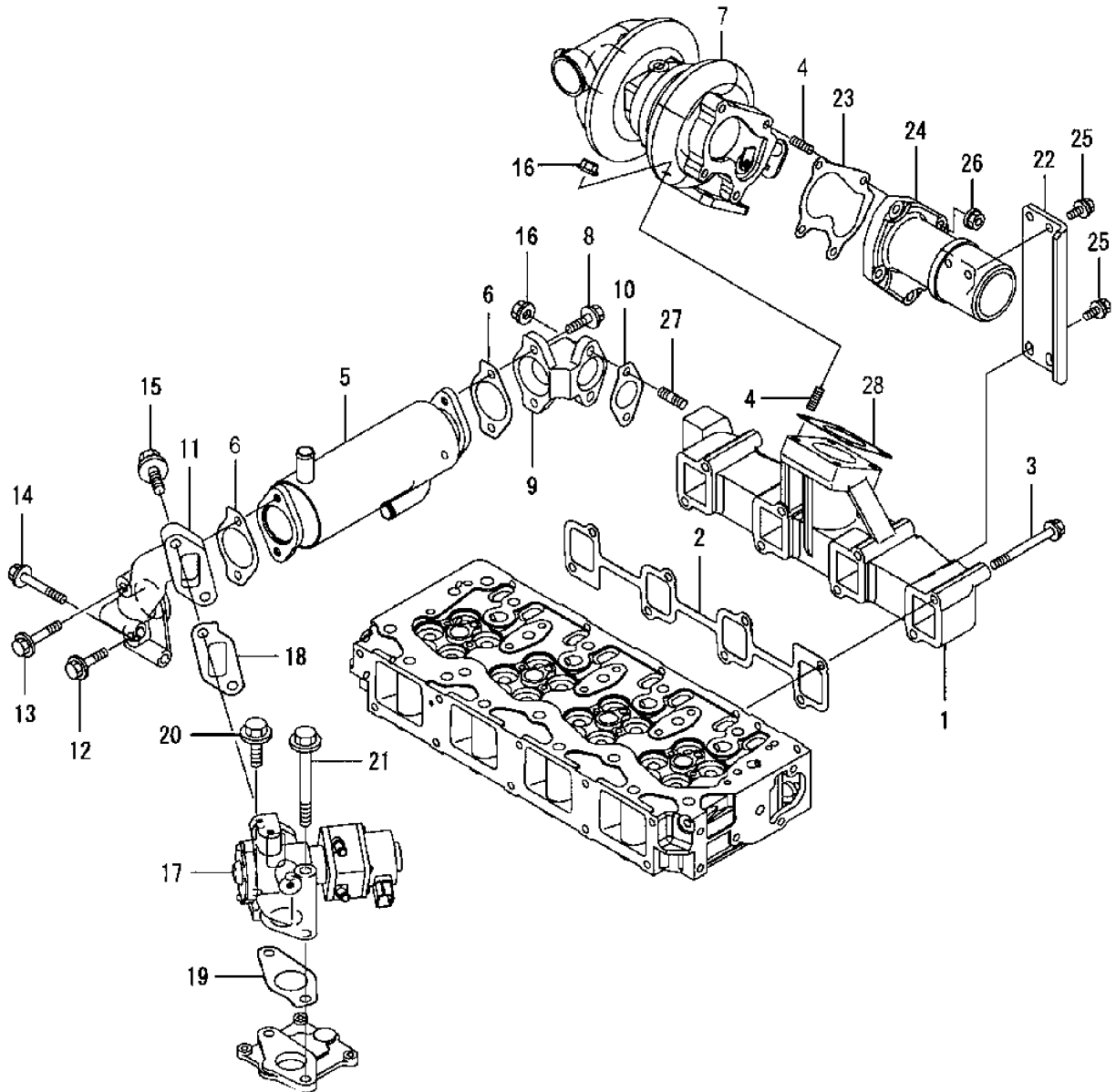


T2883_00
09/12

INTAKE MANIFOLD

Item	Part Number	Description	Remarks	Serial Number	Qty
1	15896178	GASKET			1
2	23285901	MANIFOLD ASSEMBLY, INTAKE	W/Ref. 3-7, 9		1
3	23285927	MANIFOLD, INTAKE			1
4	23285935	VALVE			1
5	23285943	SPACER			1
6	23285950	GASKET			1
7	15899032	BOLT			5
8	23286040	BOLT			2
9	23285968	STUD			2
10	15899123	BOLT			6
11	15899156	BOLT			4
12	23285976	TUBE			1
13	23285984	ELBOW			1
14	16539108	TUBE			1
15	16539611	CLAMP			1
16	23285992	CLAMP			1
17	23286008	GASKET			1
18	15896202	GASKET			1
19	23286016	HEATER, AIR			1
20	23286032	ELBOW			1
21	15899115	BOLT			2

EXHAUST MANIFOLD

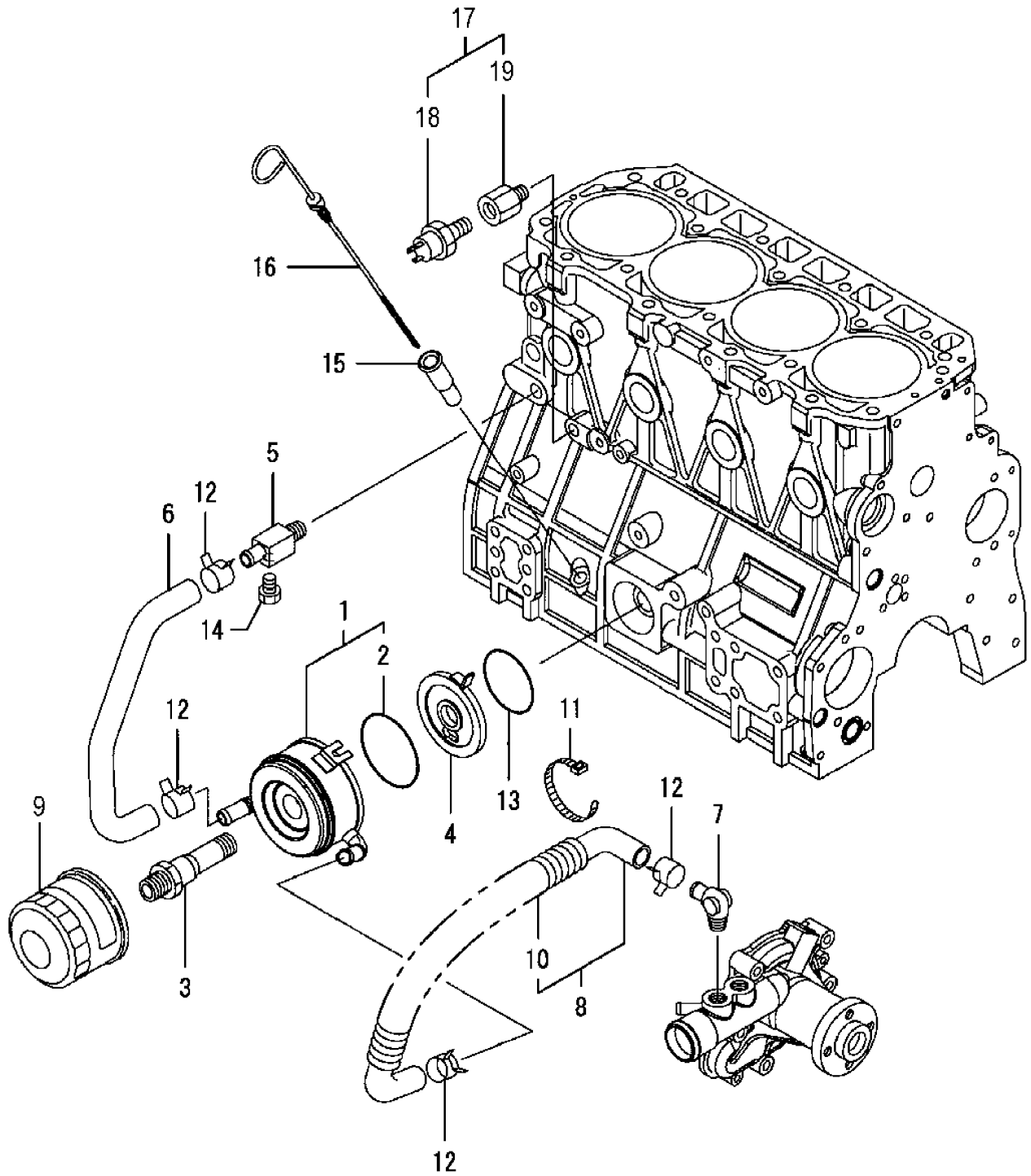


T2983_00
09/12

EXHAUST MANIFOLD

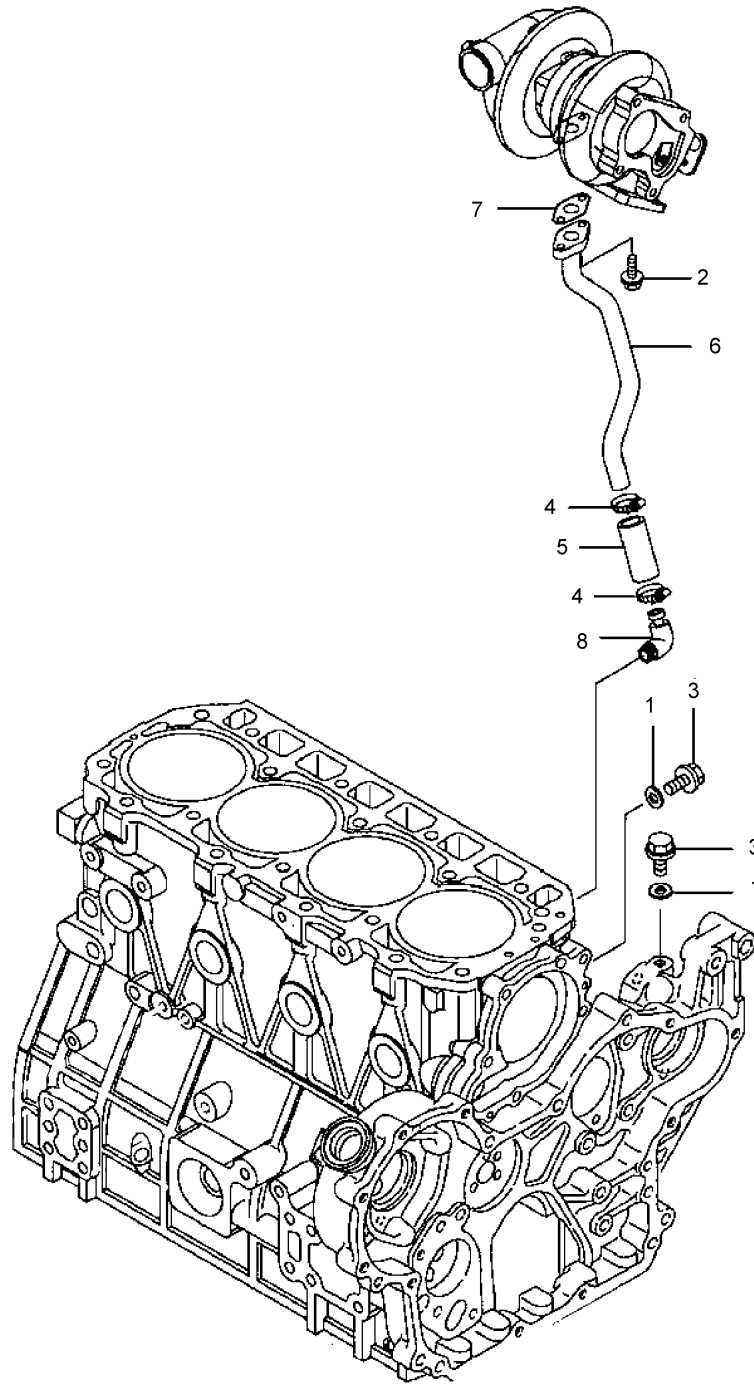
Item	Part Number	Description	Remarks	Serial Number	Qty
1	23286057	EXHAUST MANIFOLD ASSEMBLY			1
2	15896236	GASKET, EXHAUST MANIFOLD			1
3	15899438	BOLT			8
4	15897069	BOLT			8
5	23286073	COOLER, EGR			1
6	23286081	GASKET, EGR COOLER			2
7	16539496	TURBOCHARGER			1
8	23286107	BOLT			2
9	23286123	ELBOW			1
10	23286131	GASKET			1
11	23286149	COOLER			1
12	15899107	BOLT			1
13	15899123	BOLT			1
14	15899149	BOLT			2
15	23286156	BOLT			2
16	15899198	NUT			6
17	23286164	VALVE, EGR			1
18	23286172	GASKET			1
19	23286180	GASKET			1
20	23286198	BOLT			1
21	23286206	BOLT			1
22	16539306	BRACKET			1
23	16539033	GASKET			1
24	16539322	PIPE			1
25	23286214	BOLT			4
26	15899198	NUT			4
27	16539157	STUD			2
28	16539173	GASKET			

LUBE OIL SYSTEM



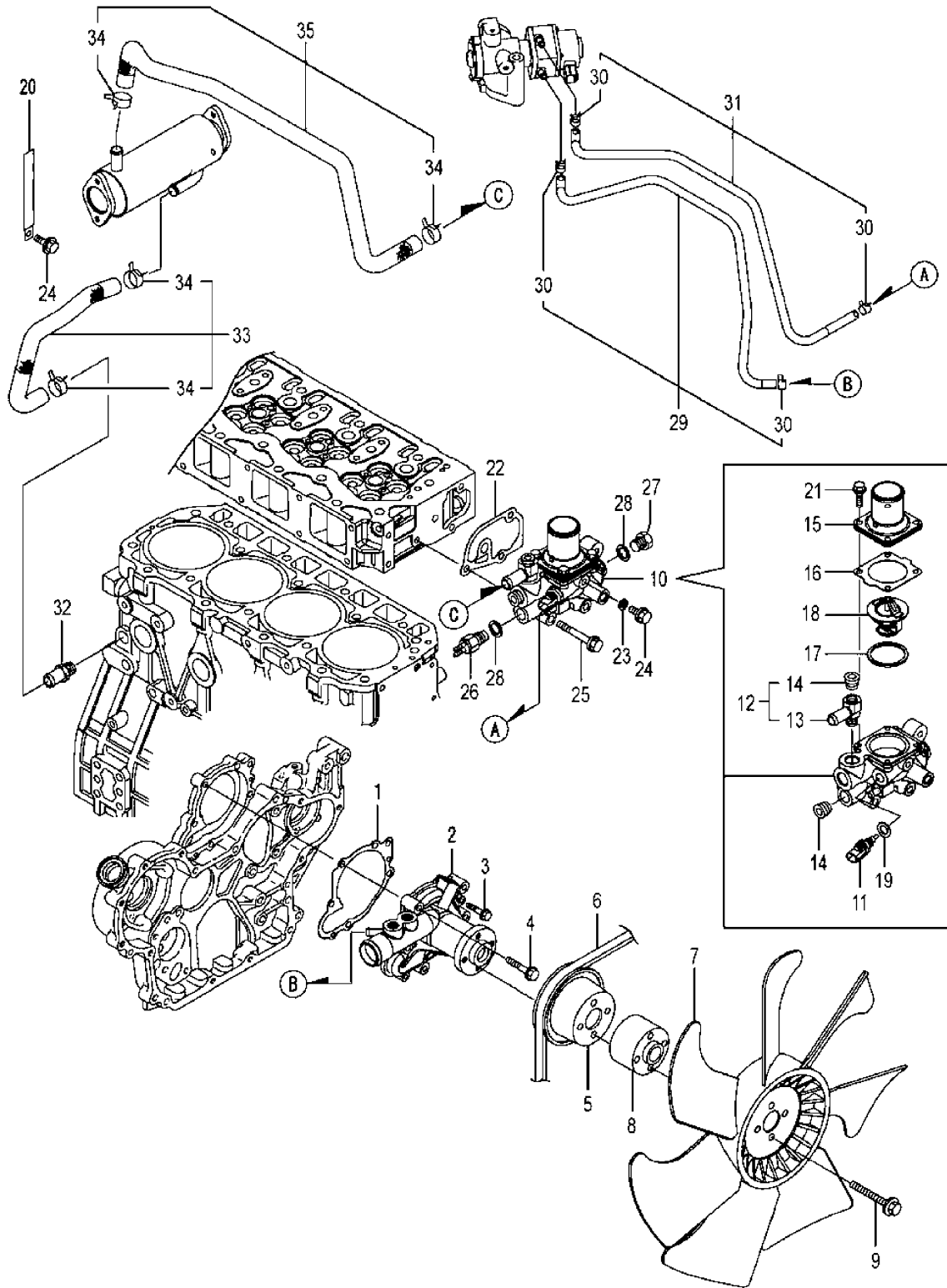
T2886_00
09/12

LUBE OIL SYSTEM



T2886_00
09/12

COOLING SYSTEM

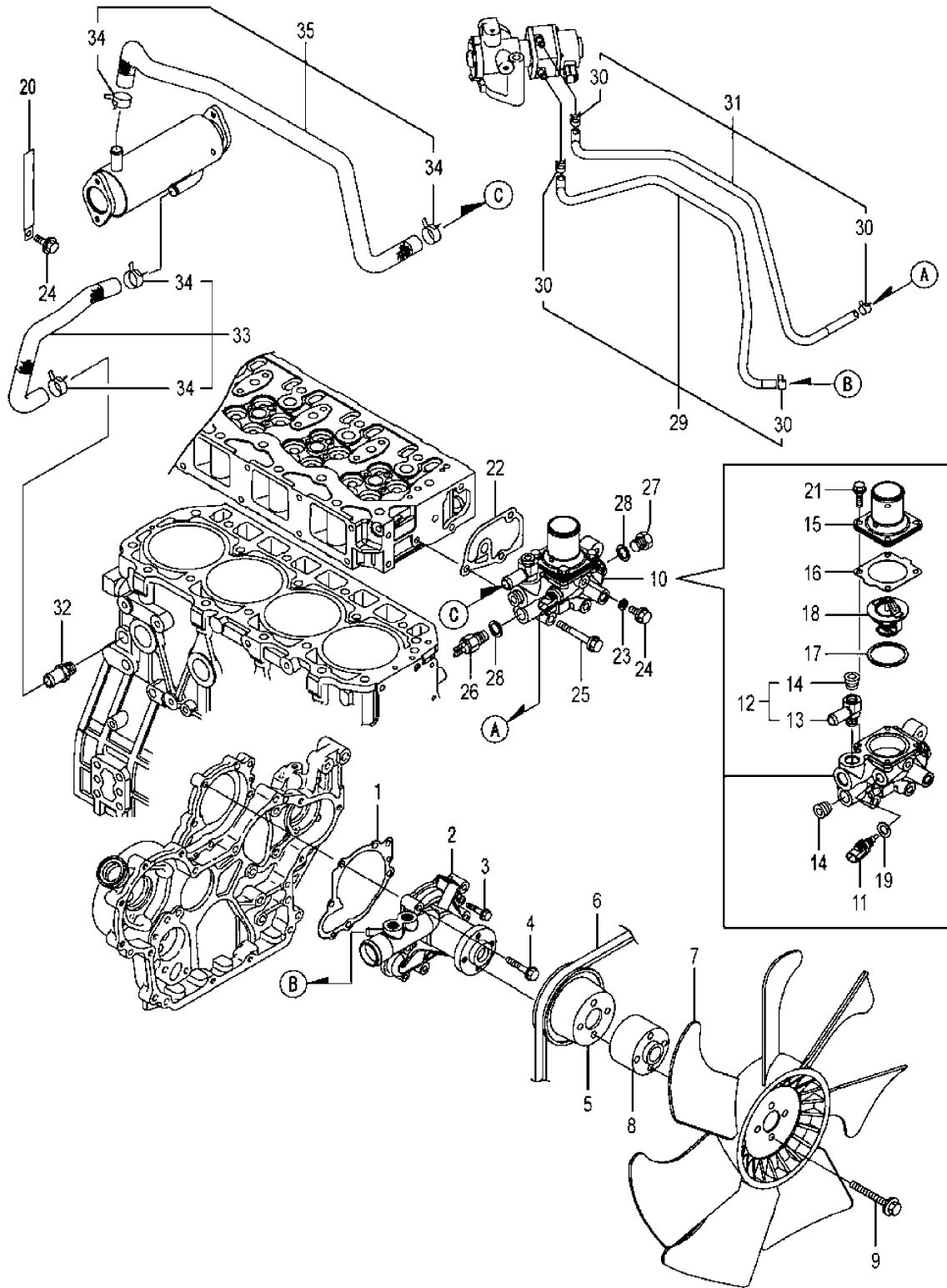


T2887_00
09/12

COOLING SYSTEM

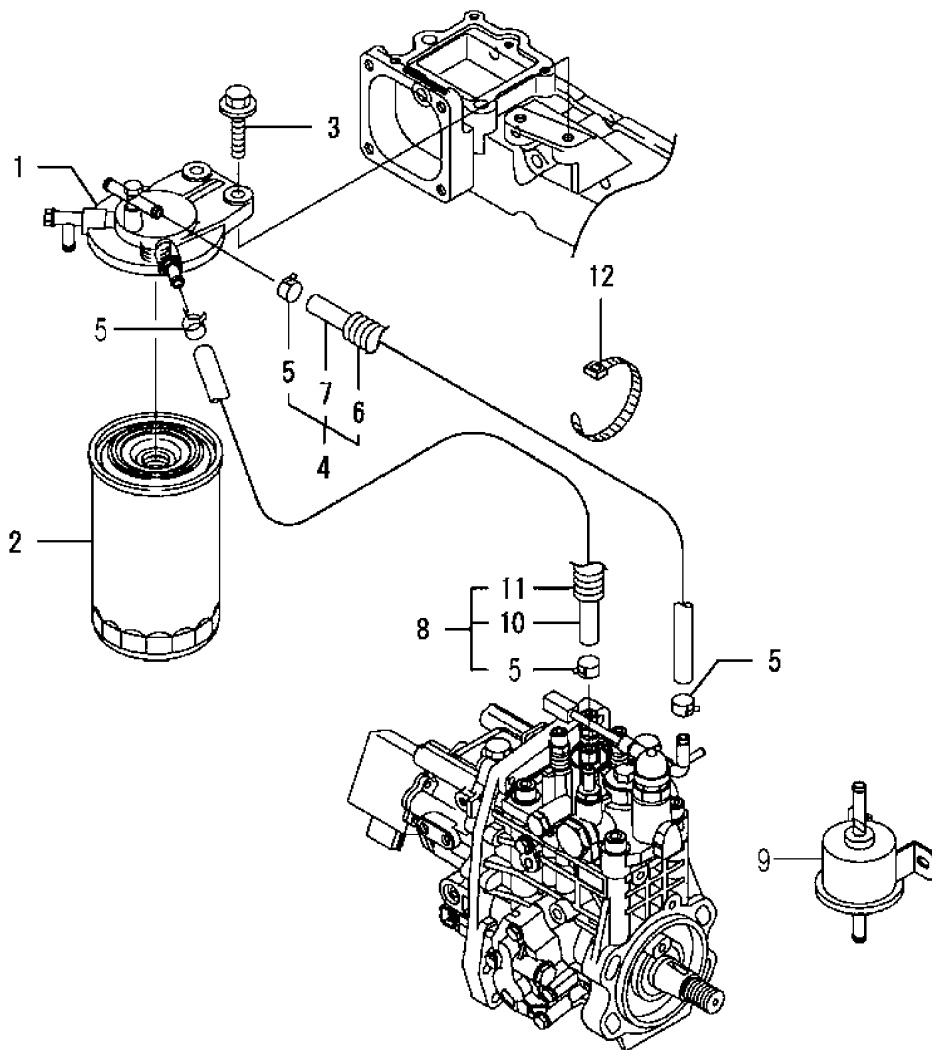
Item	Part Number	Description	Remarks	Serial Number	Qty
1	15896590	GASKET			1
2	23286271	WATER PUMP ASSEMBLY			1
3	15896608	BOLT			2
4	15899149	BOLT			5
5	15896616	PULLEY			1
6	16539645	V-BELT			1
7	16539090	FAN			1
8	15896640	SPACER			1
9	16539686	BOLT			4
10	23286289	CASE ASSEMBLY, THERMOSTAT	W/Ref. 11-19, 21		1
11	23286297	SWITCH, TEMPERATURE			1
12	23286305	TEE W/ PLUG	W/Ref. 13-14		1
13	23286313	TEE			1
14	15896749	PLUG			2
15	15896673	COVER, THERMOSTAT			1
16	15896681	GASKET			1
17	15896699	GASKET			1
18	15896715	THERMOSTAT			1
19	23286321	SEAL			1
20	23286396	CRIP			1
21	15899032	BOLT			4
22	15896764	GASKET			1
23	15898927	GASKET			1
24	15899040	BOLT			2
25	15895105	BOLT			3
26	15898059	SWITCH, TEMPERATURE			1
27	15898109	PLUG			1
28	15898240	GASKET			2
29	23286339	PIPE ASSEMBLY	W/Ref. 30		1
30	23286347	CLAMP			4
31	23286354	PIPE ASSEMBLY	W/Ref. 30		1

COOLING SYSTEM (CONT'D)



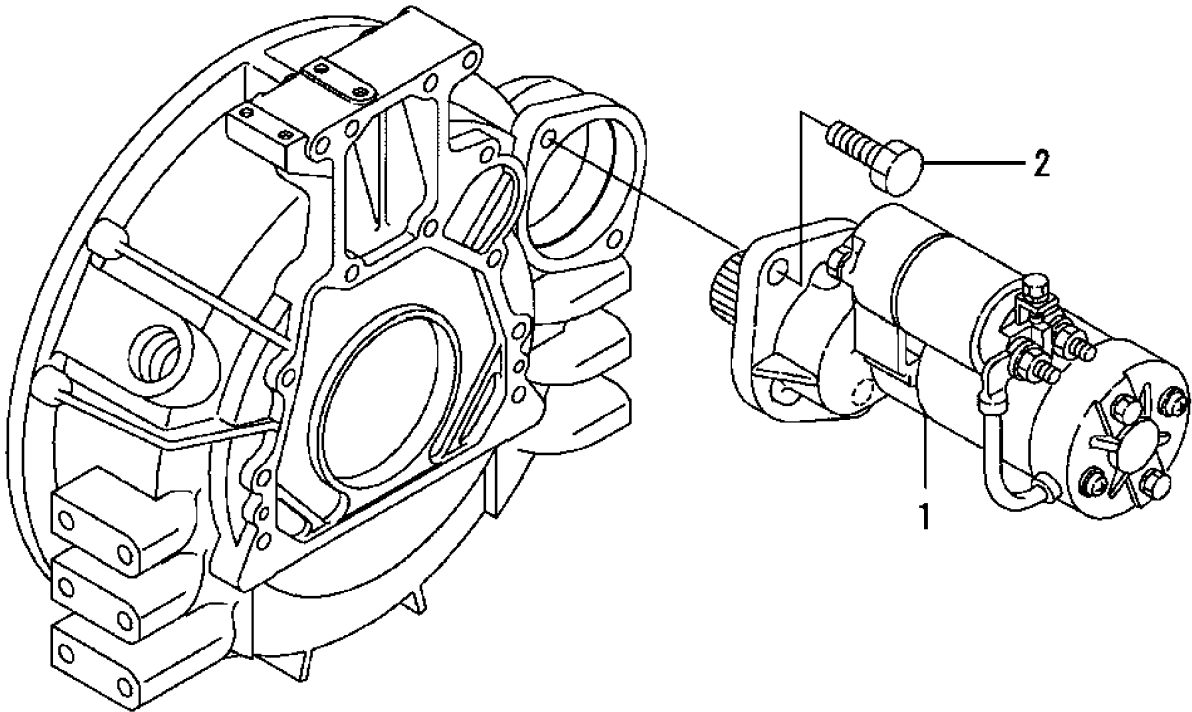
T2887_00
09/12

FUEL FILTER



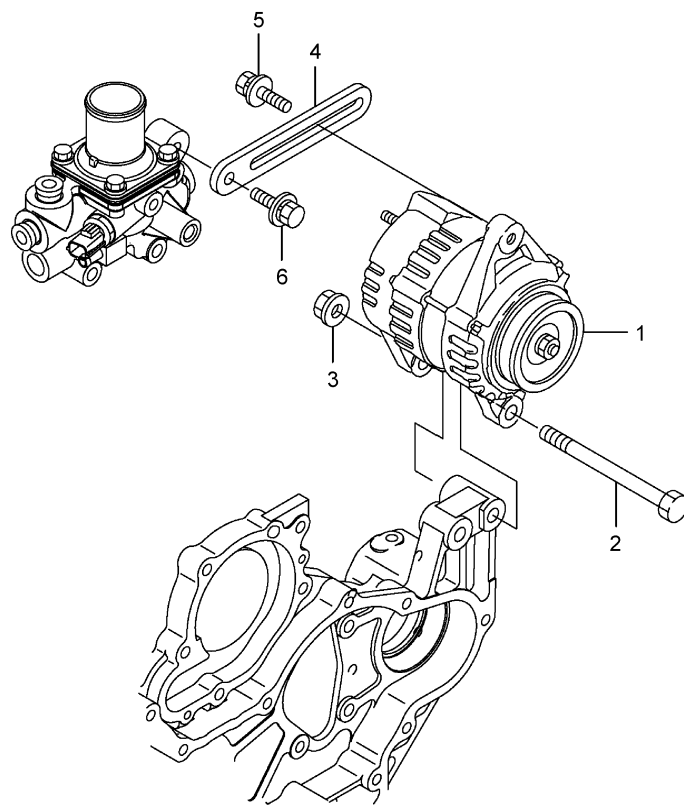
T2888_00
09/12

STARTER MOTOR



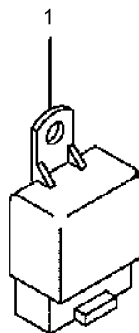
T2890_00
09/12

ALTERNATOR



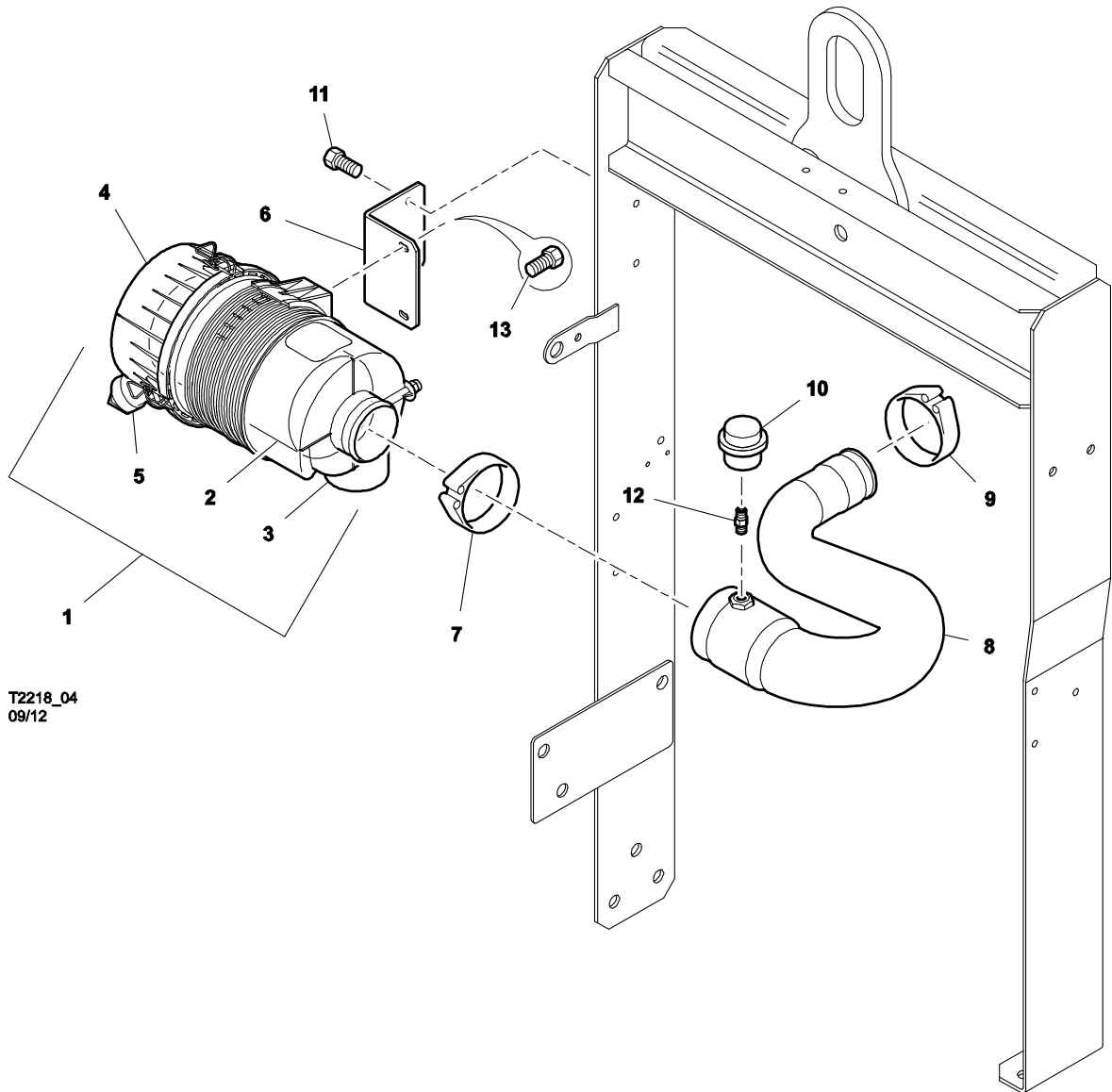
T2890_00
09/12

ECU



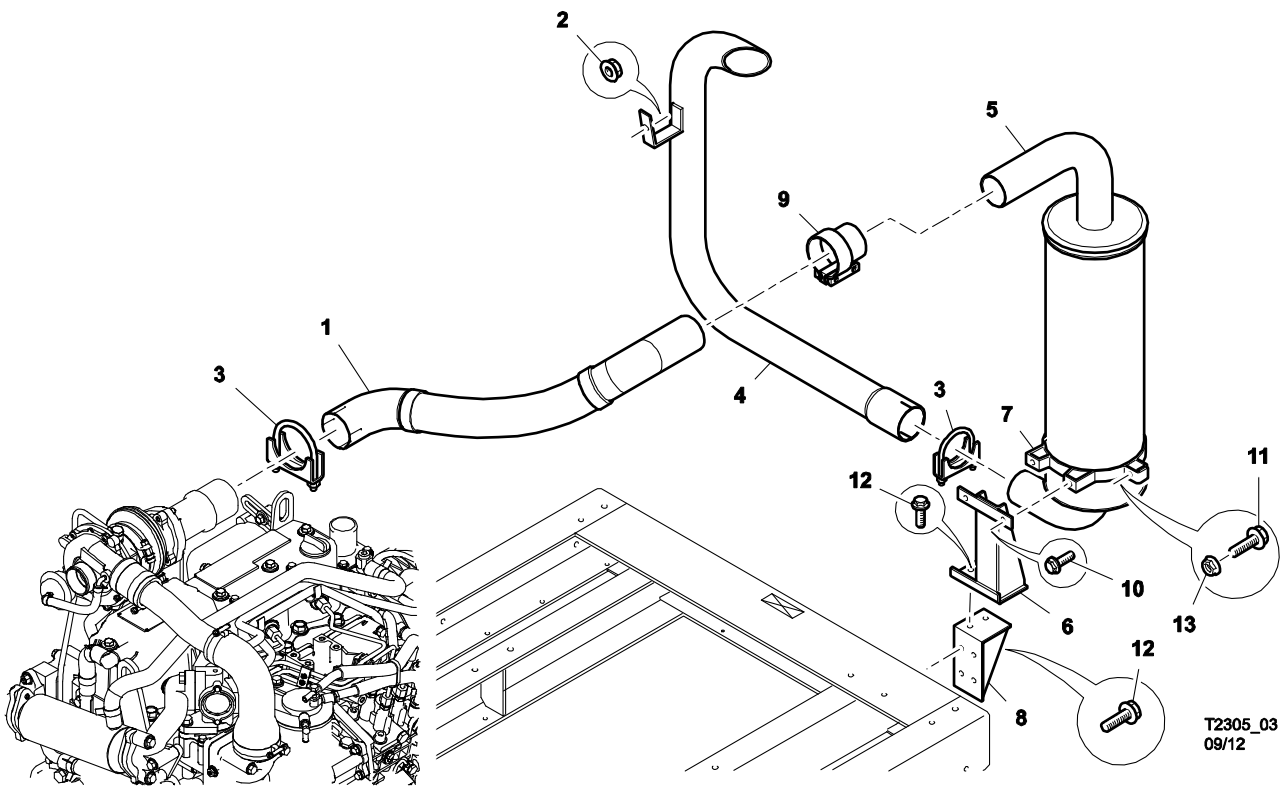
T2891_00
09/12

AIR INTAKE

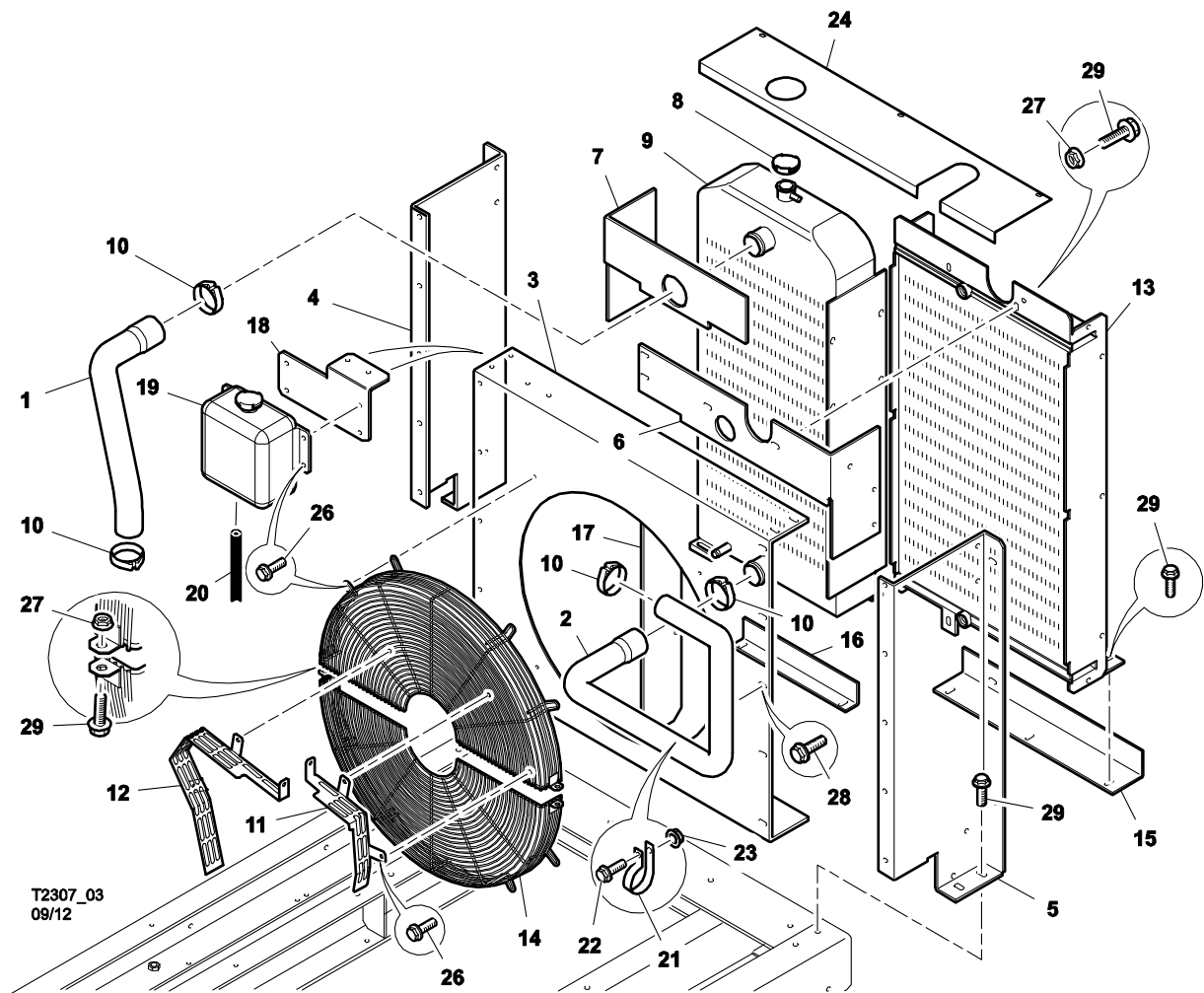


T2218_04
09/12

EXHAUST SYSTEM



COOLING SYSTEM

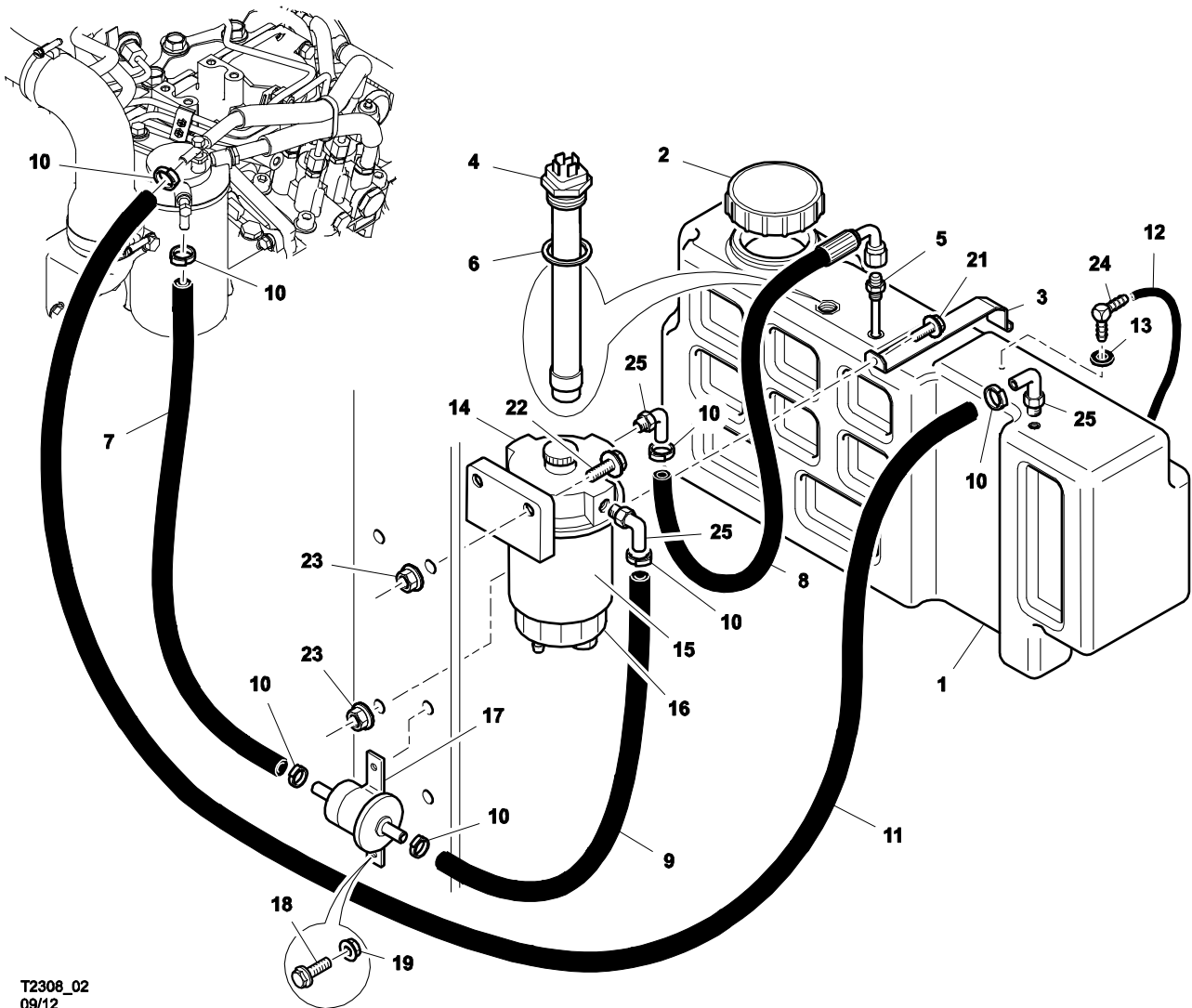


T2307_03
09/12

COOLING SYSTEM

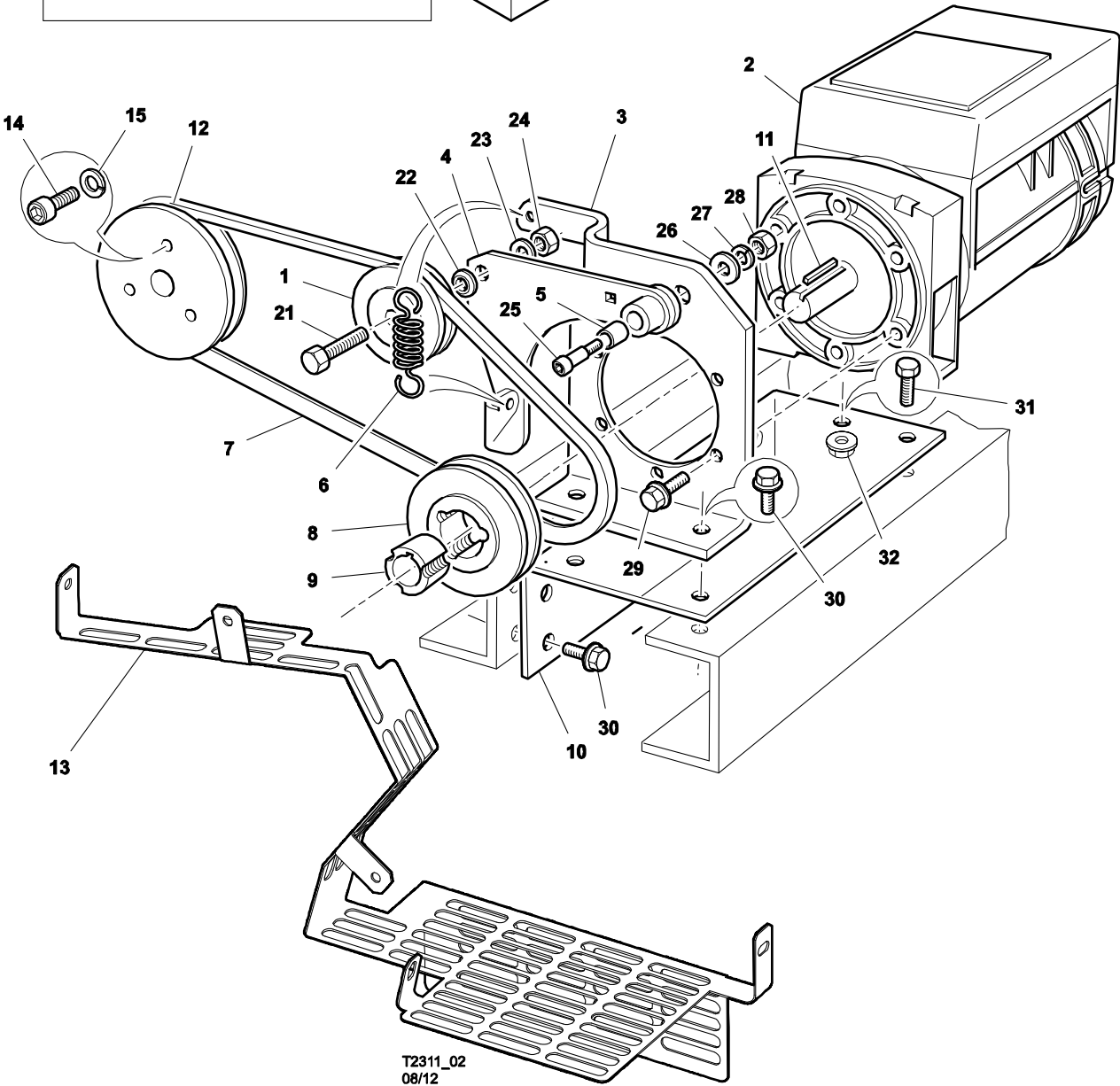
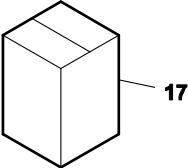
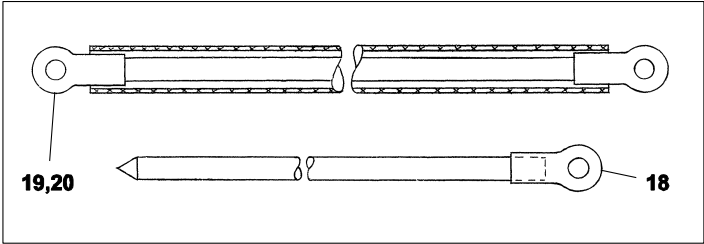
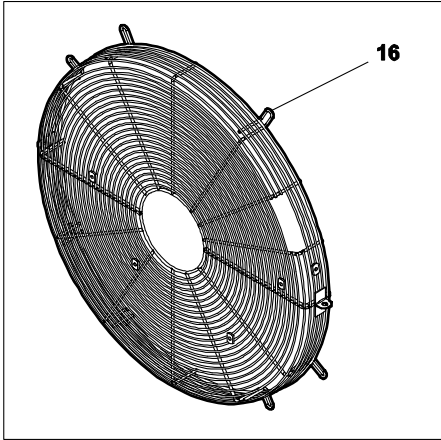
Item	Part Number	Description	Remarks	Serial Number	Qty
1	22230783	HOSE			1
2	22230775	HOSE			1
3	23215171	SHROUD			1
4	54510011	PANEL			1
5	54510029	PANEL			1
6	54509682	PANEL			1
7	54509690	PANEL			1
8	36769560	CAP, FILLER			1
9	23307598	RADIATOR			1
10	92253129	CLAMP			4
11	23316979	GUARD			1
12	23217771	GUARD			1
13	54666326	COOLER, OIL			1
14	23316003	GUARD			1
15	54372842	BAFFLE			1
16	54372859	BAFFLE			1
17	54509856	BRACKET			1
18	22180384	BRACKET			1
19	36884948	TANK, EXPANSION			1
20	92111335	HOSE, TRANSPARENT	(1/4" ID)		1
21	35119718	CLIP, RETAINING			1
22	92096015	SCREW			1
23	96704176	NUT			1
24	54538442	PANEL			1
25	92398130	SCREW	order as required		x
26	35300771	SCREW	order as required		x
27	92398114	NUT	order as required - (M8)		x
28	92368687	SCREW	order as required		x
29	92398130	SCREW	order as required		x

FUEL SYSTEM



T2308_02
09/12

OPTION - GENERATOR

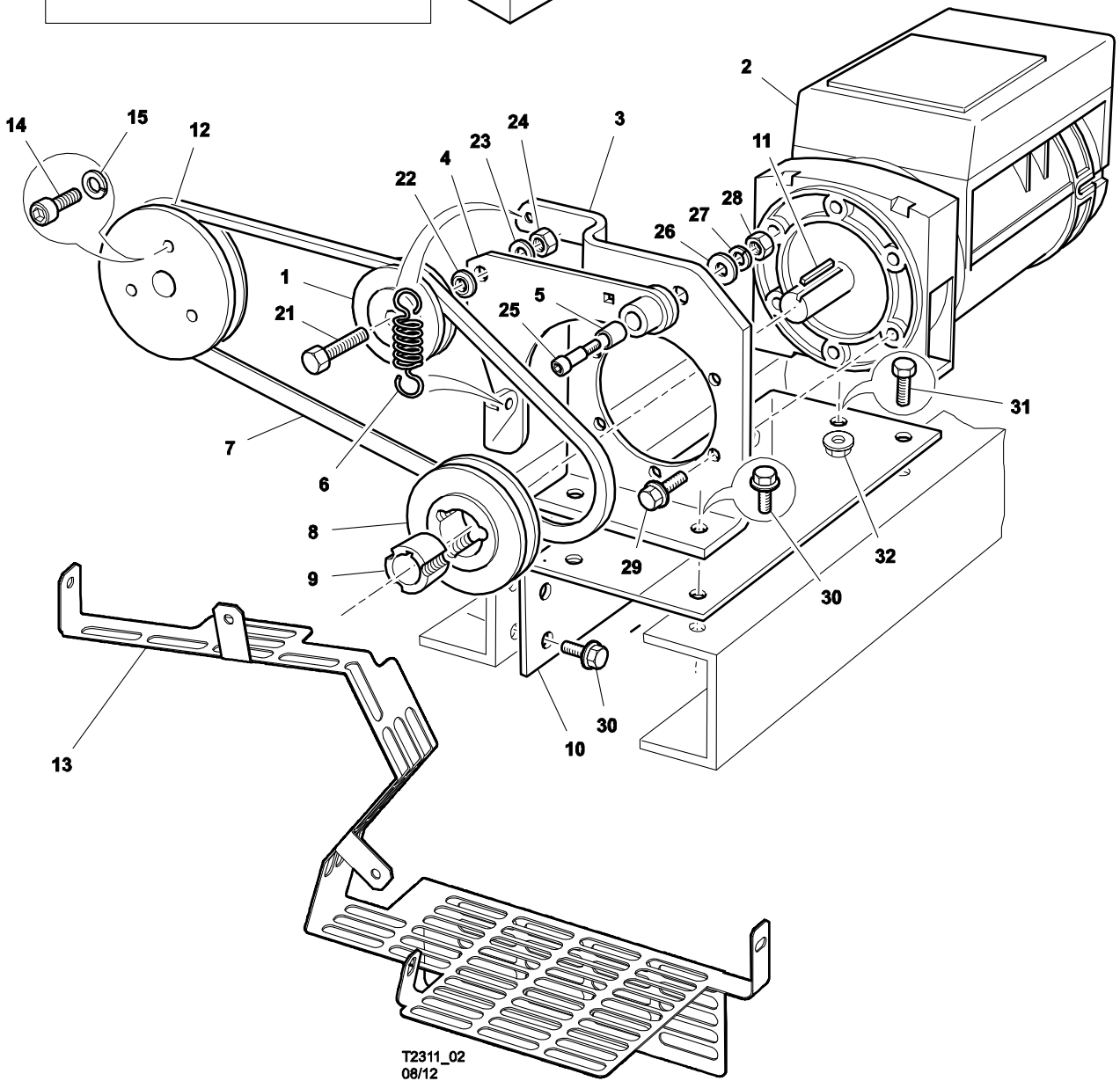
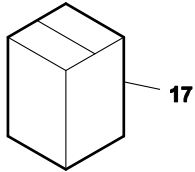
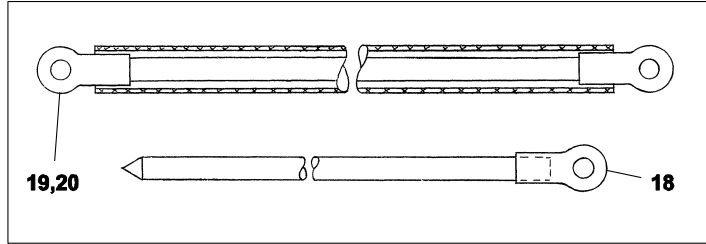
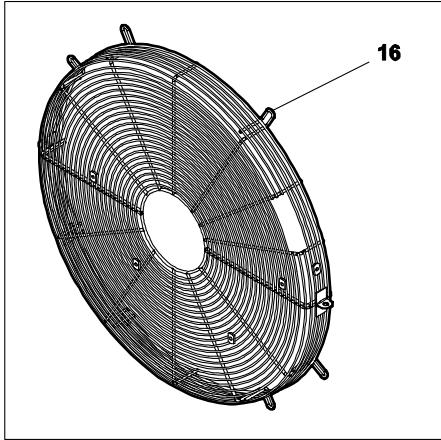


T2311_02
08/12

OPTION - GENERATOR

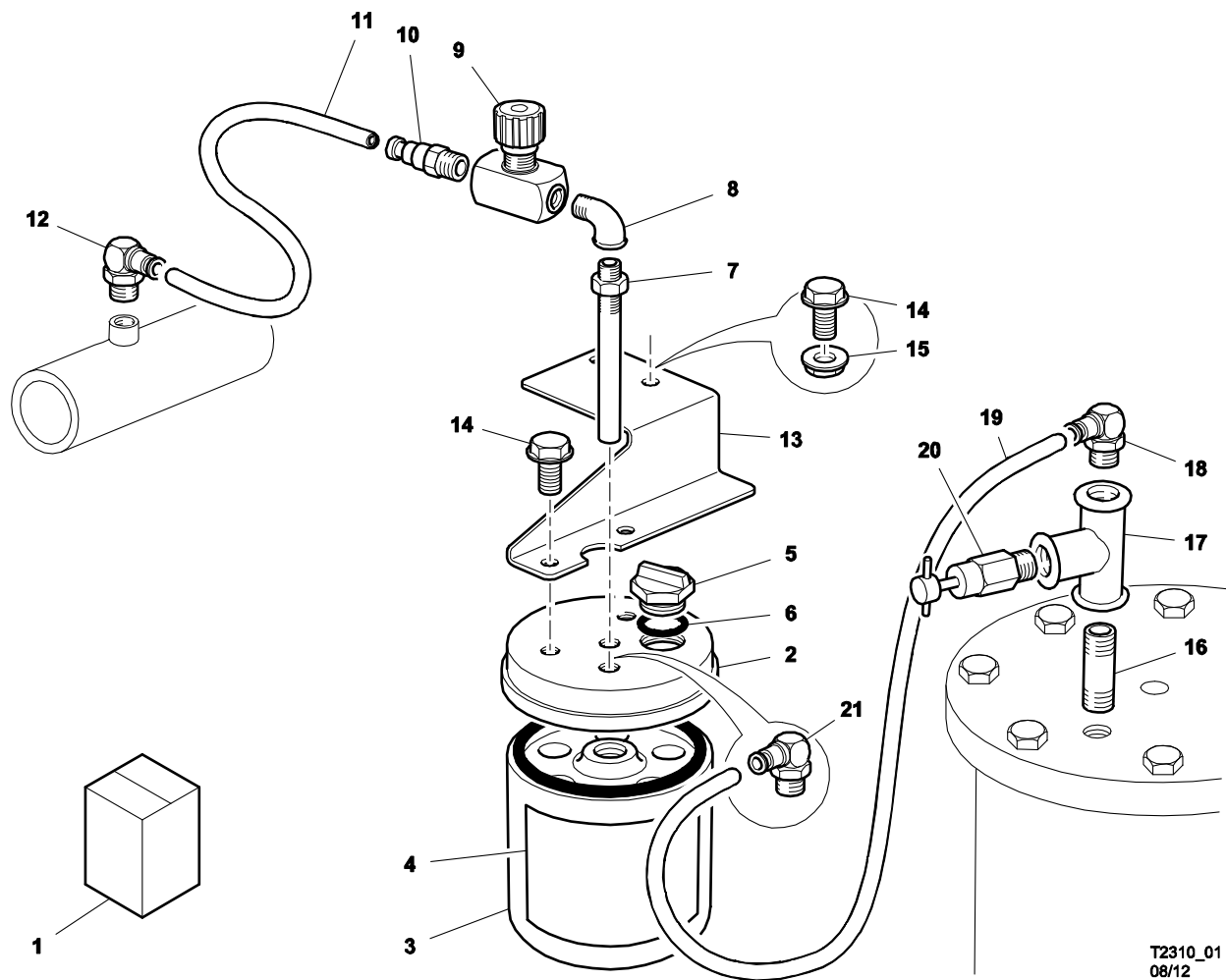
Item	Part Number	Description	Remarks	Serial Number	Qty
1	92690890	PULLEY			1
2	88123229	GENERATOR	1 phase - (110 V, 6 kVA / 230 V, 6 kVA)		1
2	89230494	GENERATOR	3 phase - (400 V, 6 kVA)		1
3	54581152	BRACKET	belt tensioning		1
4	54581178	LEVER			1
5	35320688	BUSH			1
6	22401855	SPRING			1
7	54621149	BELT, DRIVE			1
8	54603337	PULLEY			1
9	88091889	BUSH			1
10	54621131	BRACKET	generator support		1
11		KEY	not supplied separately		1
12	23350507	PULLEY			1
13	23353873	GUARD, PULLEY			1
14	92465590	CAPSCREW			3
15	92304674	LOCKWASHER			3
16	23353881	GUARD, FAN			1
17	92699412	KIT, EARTH SPIKE			1
18	92699420	SPIKE, EARTH			1
19	92699438	CABLE, EARTH			1
20	93181366	STUD, EARTH POINT			1
21	92148014	BOLT			1
22	92061506	WASHER			1
23	92304682	LOCKWASHER			1
24	90103854	NUT			1
25	95664314	SCREW, SHOULDER			6
26	35294339	WASHER, SPRING			1
27	95081824	WASHER, SPRING			1
28	95077798	NUT			1
29	92101112	SCREW			6
30	92473586	SCREW			7

OPTION - GENERATOR (CONT'D)



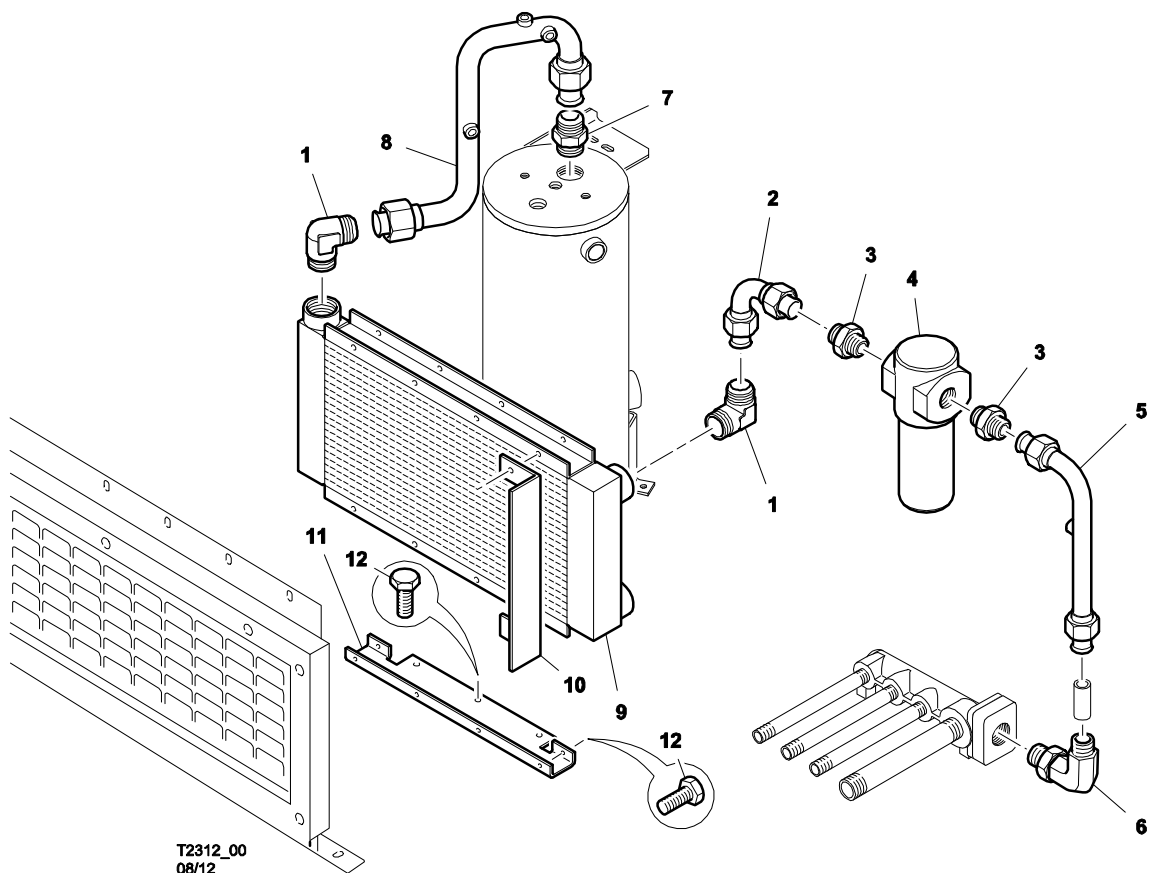
T2311_02
08/12

OPTION - LUBRICATOR



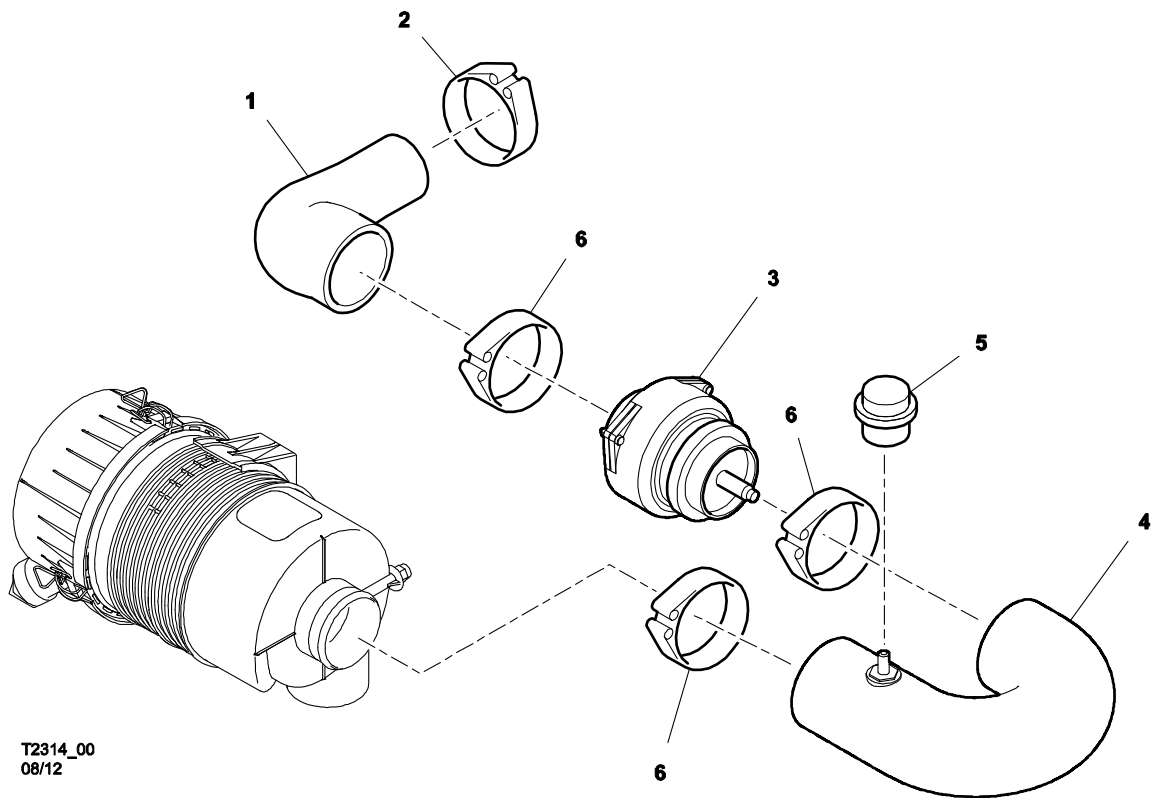
T2310_01
08/12

OPTION - AFTERCOOLER



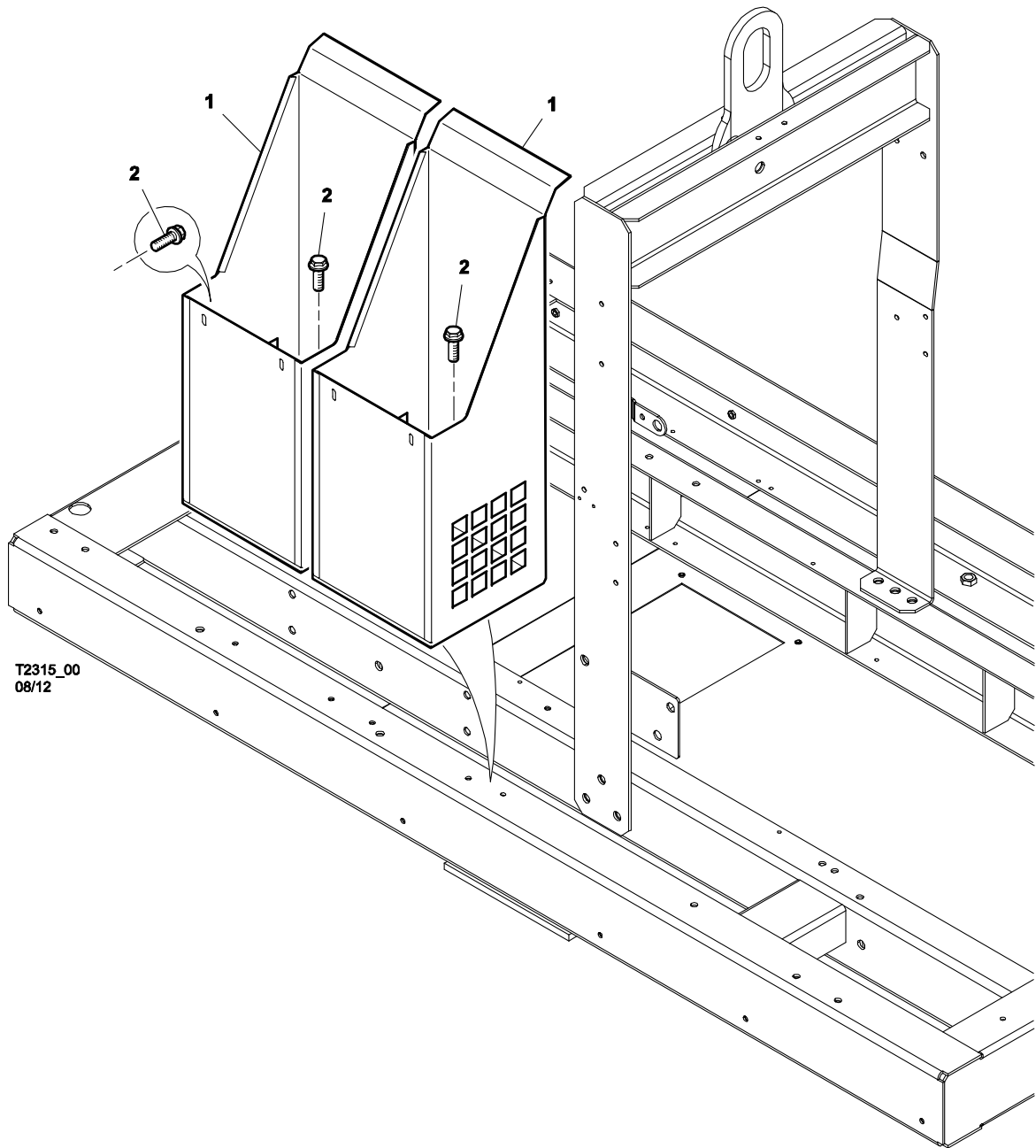
T2312_00
08/12

OPTION - OVERSPEED VALVE



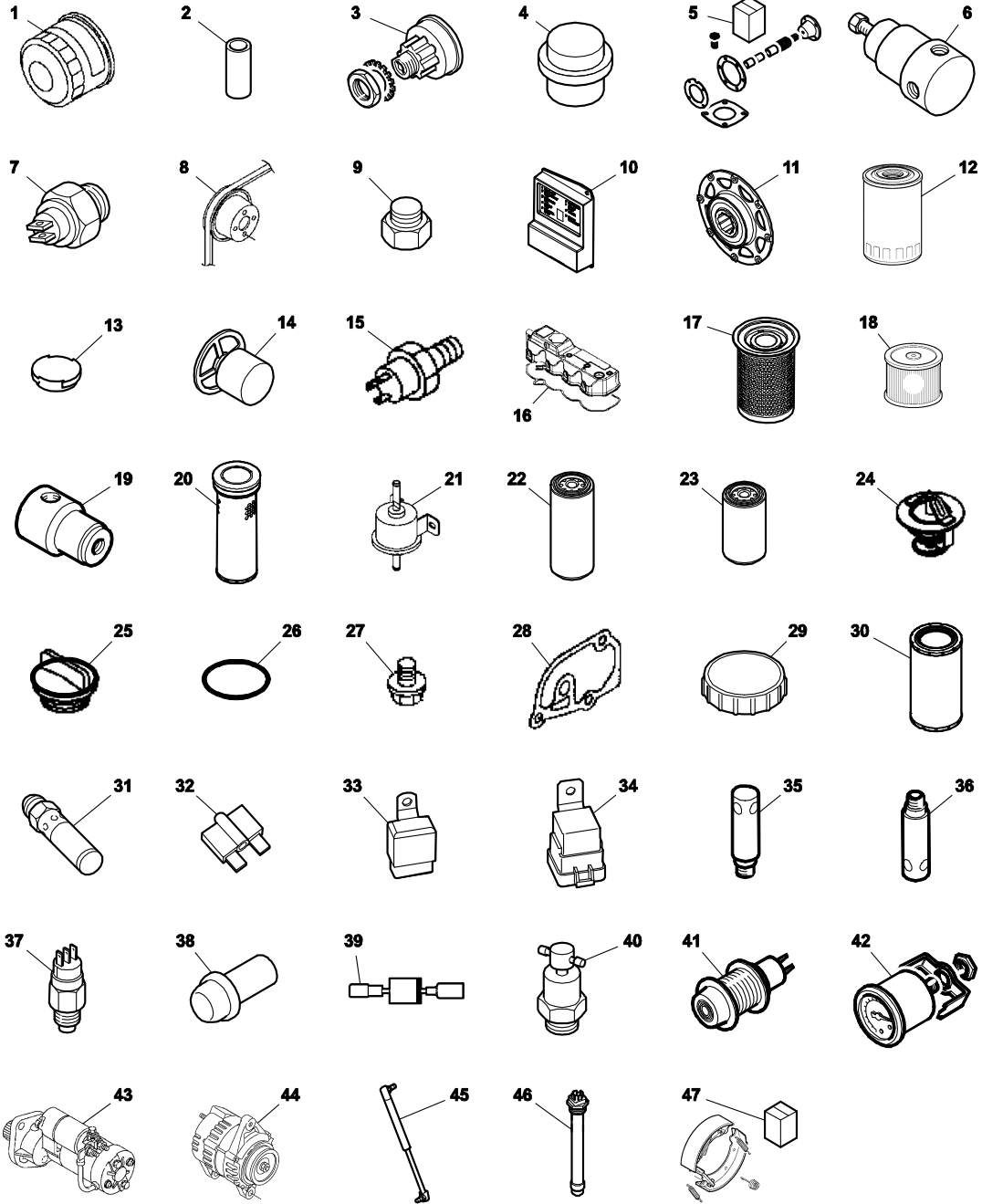
T2314_00
08/12

OPTION - TOOLBOX



T2315_00
08/12

RECOMMENDED SPARE PARTS
(1 unit 7/71 & 12/56 Tier 3)
(for 2 years operation)

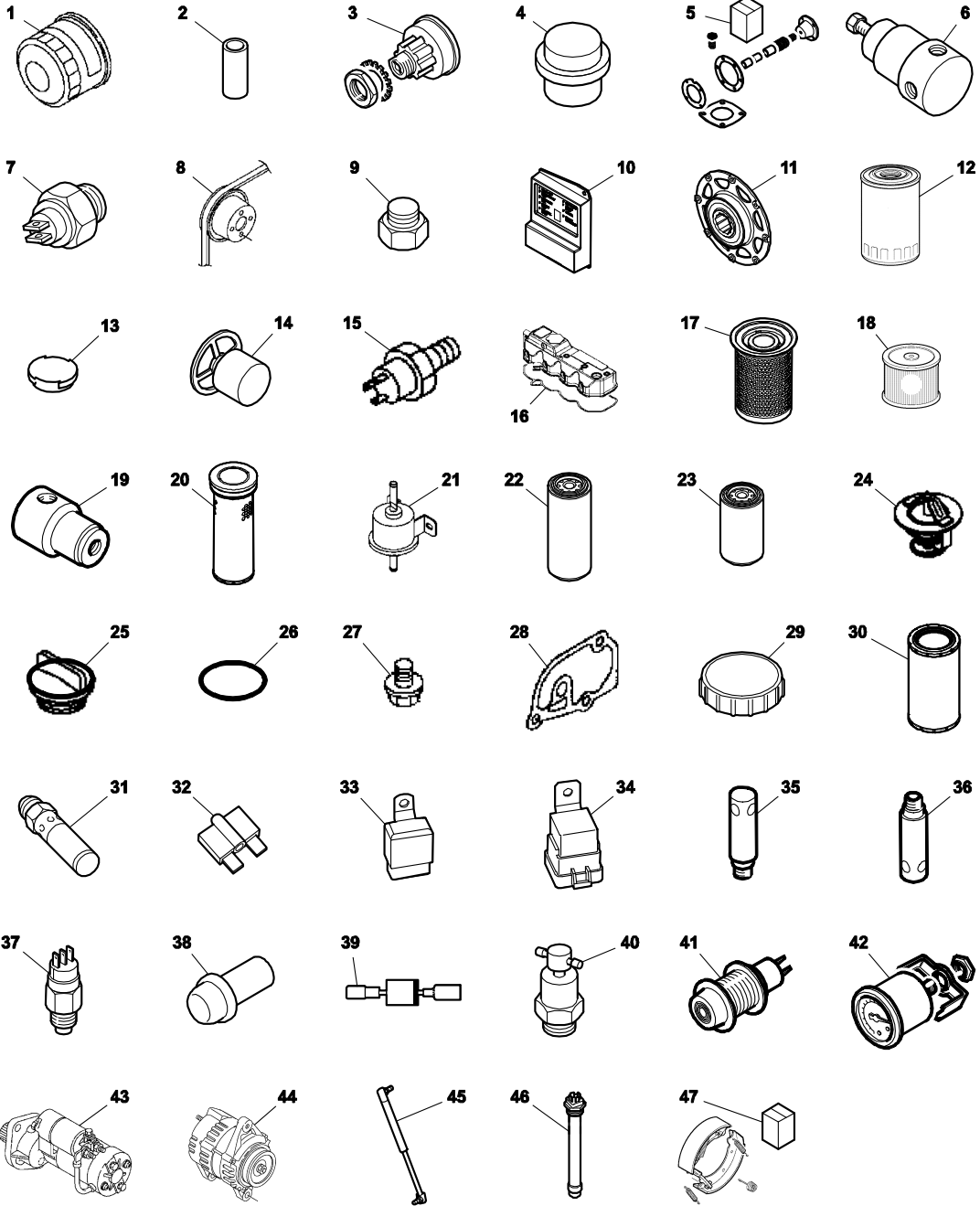


T2896_00
09/12

RECOMMENDED SPARE PARTS
(1 unit 7/71 & 12/56 Tier 3)
(for 2 years operation)

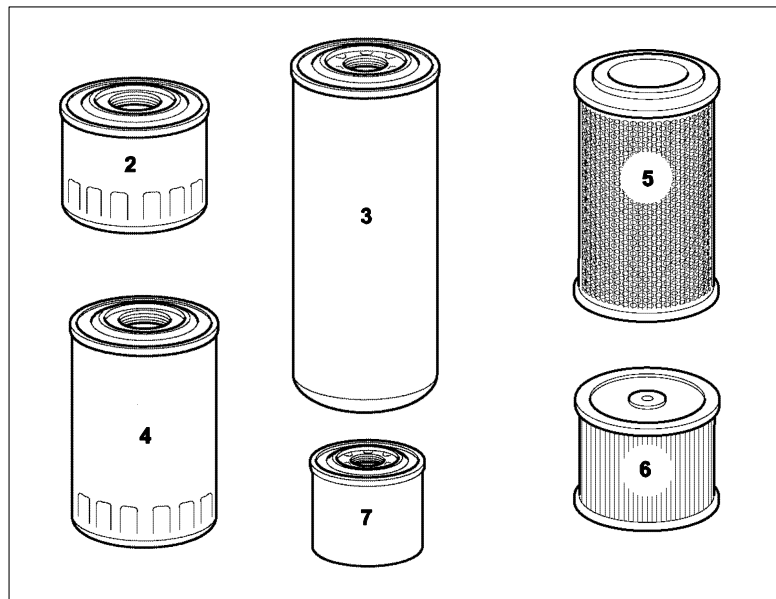
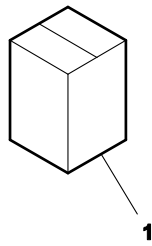
Item	Part Number	Description	Remarks	Serial Number	Qty
1	22226351	ELEMENT, OIL FILTER	(engine)		8
2	22454425	ORIFICE, SONIC	7/71		1
2	22454417	ORIFICE, SONIC	12/56		1
3	92086719	SWITCH, KEY			1
4	35314939	INDICATOR, AIR RESTRICTION			2
5	46517850	KIT	(valve, unloader)		1
6	35355106	REGULATOR	7/71		1
6	35359090	REGULATOR	12/56		1
7	35596436	SWITCH, TEMPERATURE			1
8	16539645	V-BELT			1
9	93502128	PLUG			1
10	46499364	CONTROLLER, SECU			1
11	22314348	COUPLING			1
12	22226377	ELEMENT, FUEL FILTER			4
13	36769560	CAP, FILLER			1
14	36782019	ELEMENT, THERMOSTATIC VALVE			1
15	16538977	SWITCH, OIL PRESSURE			1
16	23285786	GASKET			1
17	54625942	ELEMENT, SEPARATOR			1
18	54626452	ELEMENT, AIR FILTER	(airend)		2
19	54748363	VALVE, BLOWDOWN			1
20	54751532	ELEMENT, AIR FILTER	(safety)		2
21	22226385	PUMP, FUEL LIFT			1
22	85052751	ELEMENT, OIL FILTER	(airend)		4
23	54468178	ELEMENT, WATER SEPARATOR			2
24	15896715	THERMOSTAT			1
25	15898182	CAP, OIL FILLER			1
26	15898984	O-RING			1
27	23285711	PLUG			1
28	15896764	GASKET			1
29	89230759	CAP			1

RECOMMENDED SPARE PARTS (CONT'D)
(1 unit 7/71 & 12/56 Tier 3)
(for 2 years operation)



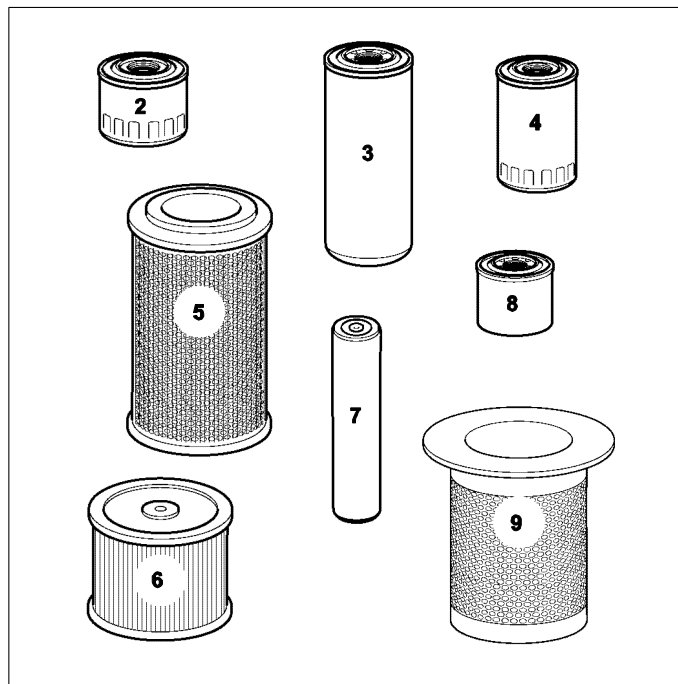
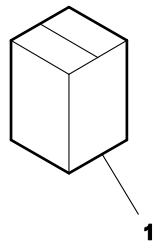
T2896_00
09/12

MAINTENANCE KIT (500 hours)



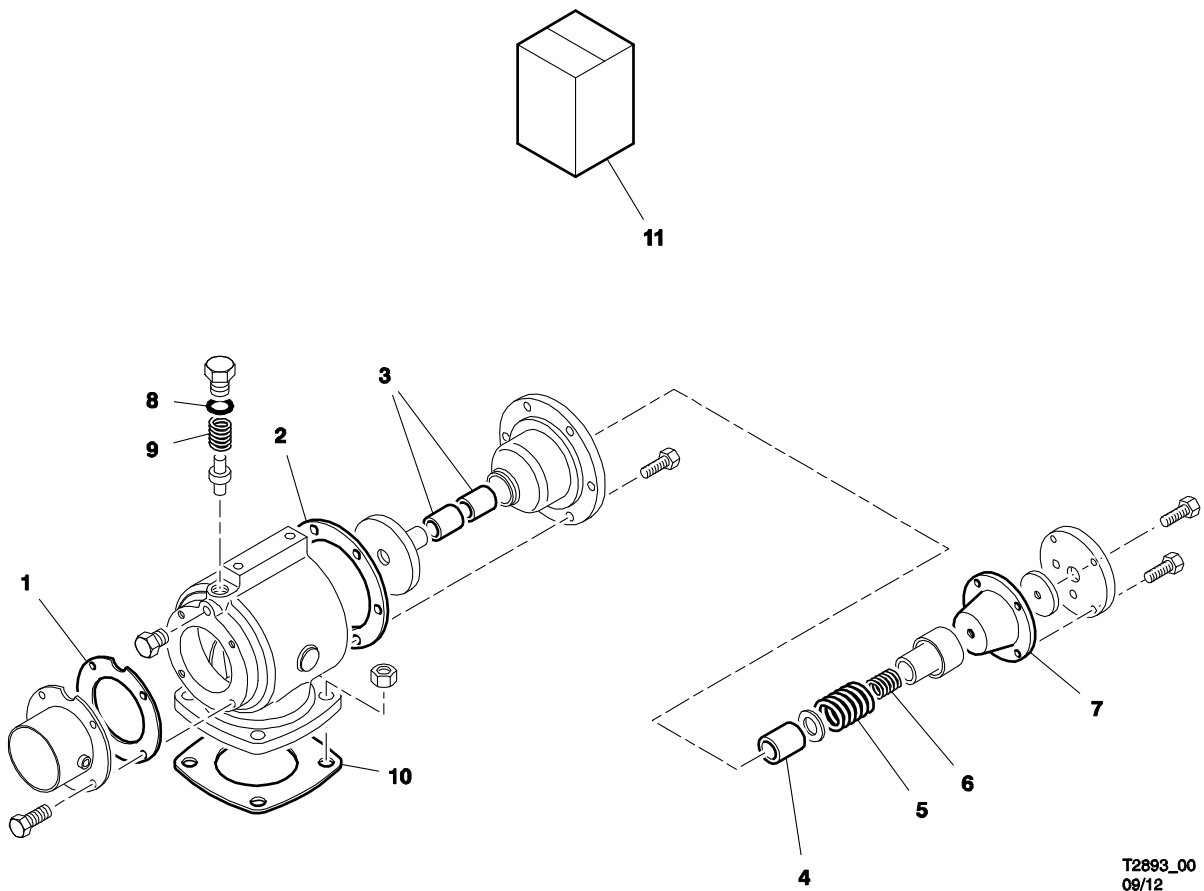
T2894_00
09/12

MAINTENANCE KIT (1000 hours)



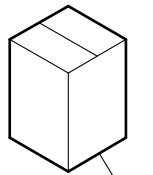
T2895_00
09/12

**MAINTENANCE KIT
(valve, unloader)**

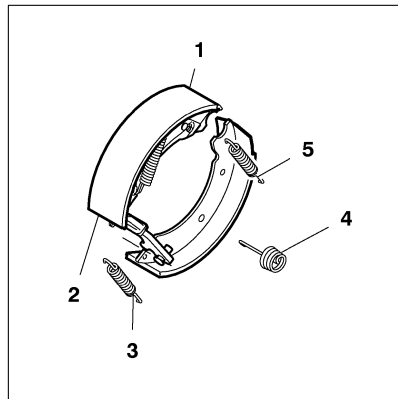


T2893_00
09/12

**MAINTENANCE KIT
(brake pads)**

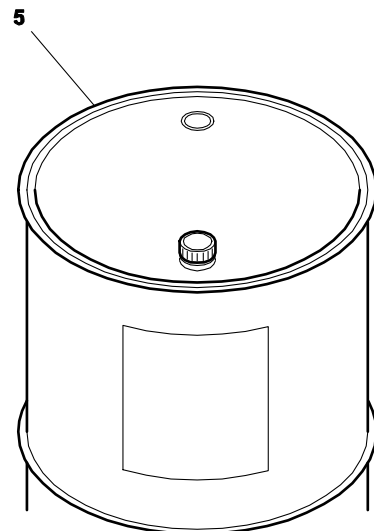
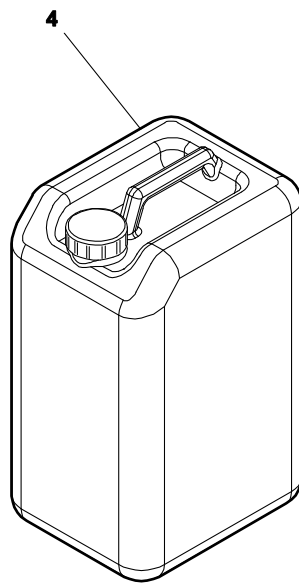
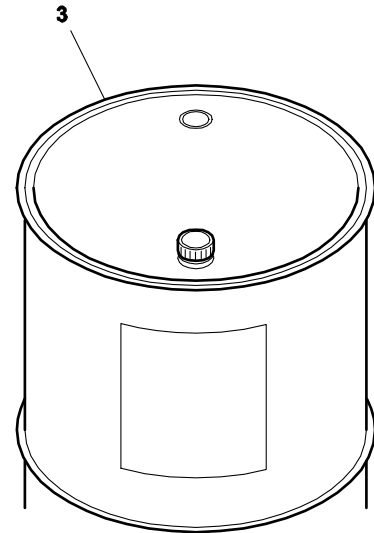
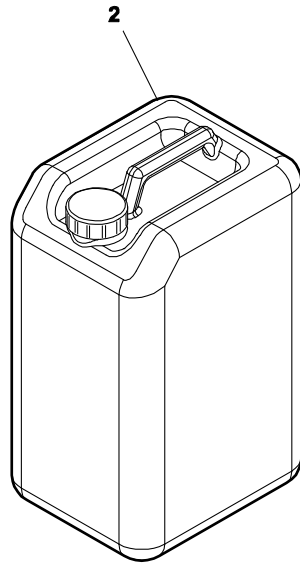
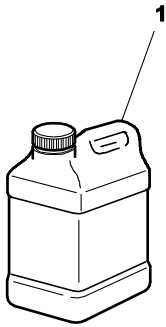


6



T3284_02
08/12

FLUIDS

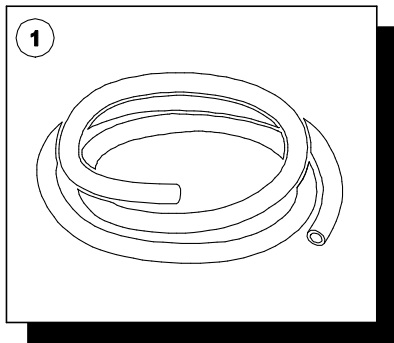


T2591_01
07/12

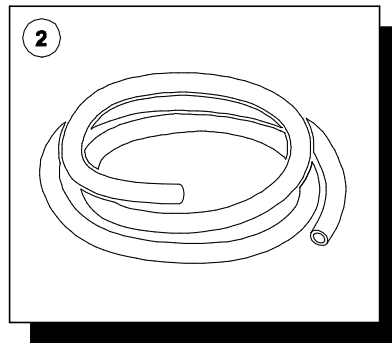
AIR DELIVERY HOSE

This range of air delivery hose is readily available in the two most commonly used sizes of 3/4" and 1" I/D, in three lengths; 15m (50') complete with fittings, 4m (13') complete with fittings and random lengths. Please note the CPN given for the random lengths is a per metre measurement, therefore when ordering please specify the number of metres required.

The chart is by no means exhaustive, additional sizes or fitted lengths can be made available on request to suit your individual needs. Similarly the chart only gives details of air delivery hose at 15.5 bar (225 psi) working pressures. Should you require higher working pressures or different types of hose please contact Portable Power Aftermarket, via your normal channels.



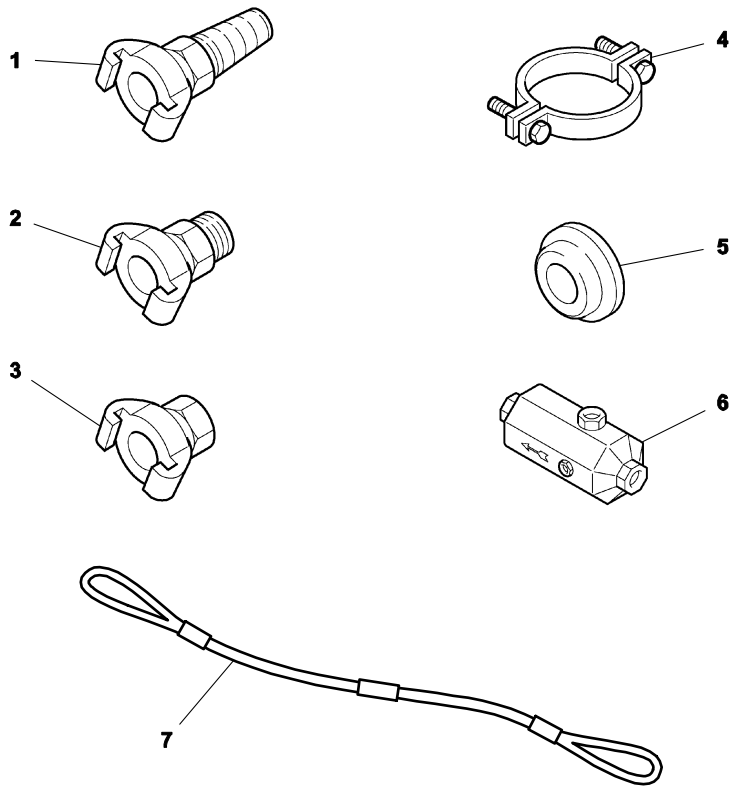
Hose
I.D.: 19 mm (3/4")
O.D.: 30 mm
Working pressure: 15.5 bar (225 psi)
Burst pressure: 46.54 bar (675 psi)
Weight: 0.580 kg/m



Hose
I.D.: 25 mm (1")
O.D.: 36 mm
Working pressure: 15.5 bar (225 psi)
Burst pressure: 46.54 bar (675 psi)
Weight: 0.830 kg/m

T2593_00
02/11

AIR HOSE FITTINGS



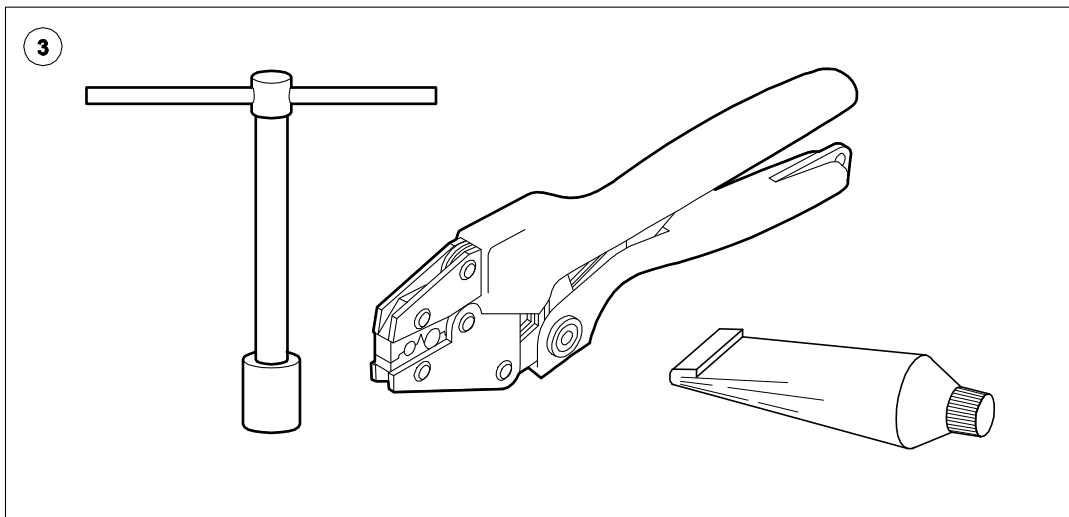
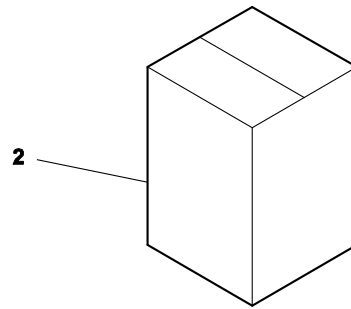
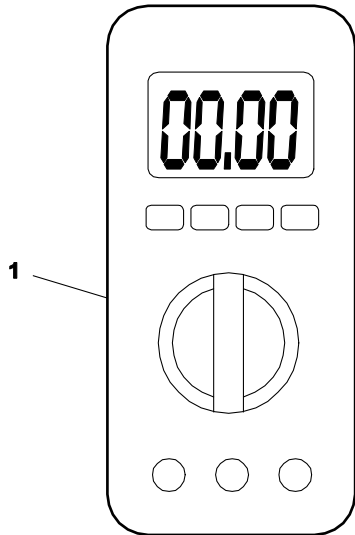
Some air tools are manufactured with an integral oil supply built into the handle. In cases where no such supply exists a lubricator installed within the air line ensures that air tools operate at peak efficiency and reduce costly repair and downtime.

The lubricator should be located as near to the tool as possible but satisfactory lubrication will be provided if installed as far away as 25ft (7.62m). Immediately upon operation of an air tool a fog of oil is automatically injected into the air stream and lubrication of the tool will continue as long as there is oil in the lubricator.

The oil supply, which is adjustable, is easily checked through the pressure proof window, and refilling is made simple by use of a large filler cap. Whenever the cap is removed it automatically vents the reservoir pressure allowing refilling without shutting down the air supply.

T2594_01
07/12

SERVICE TOOLS

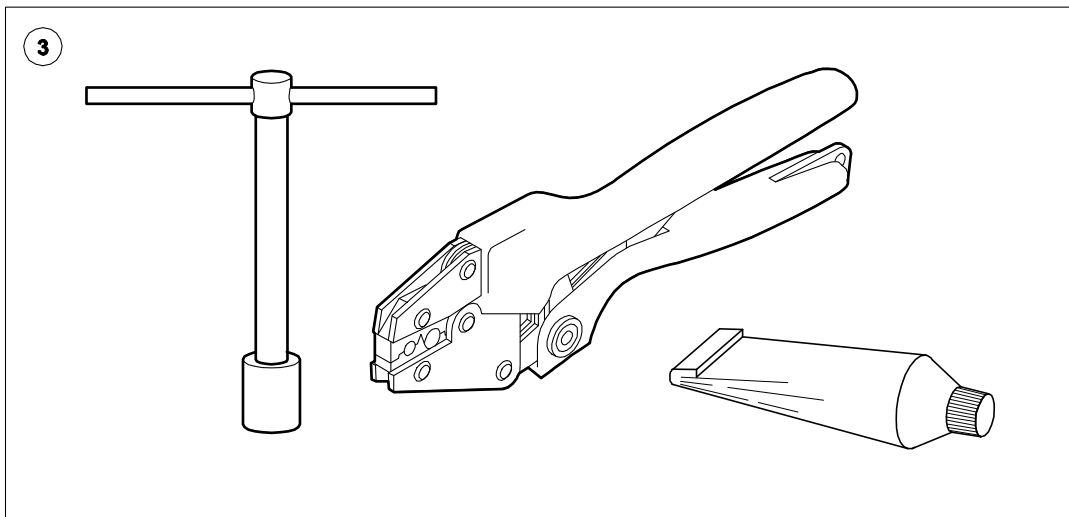
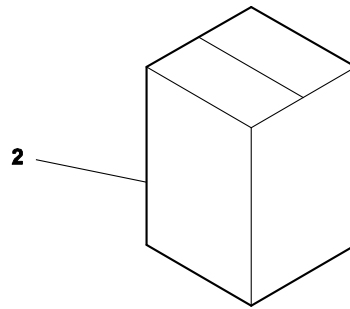
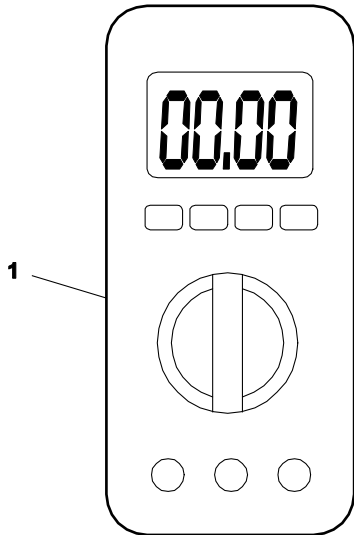


T2595_01
08/12

SERVICE TOOLS

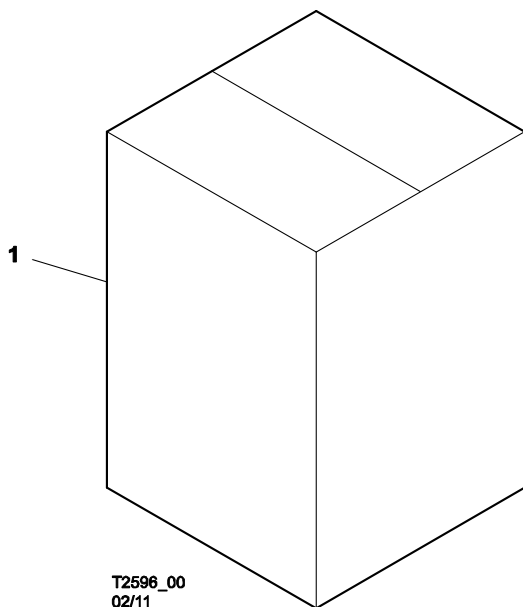
Item	Part Number	Description	Remarks	Serial Number	Qty
1	22216691	DIGITAL MULTIMETER	(fluke 87)		1
1	22216733	METER CASE, FLUKE			1
1	22216709	TEST LEAD SET, FLUKE			1
1	22216725	WIRE INSULATION PIERCING PROBE, FLUKE			1
2	22147540	KIT, TEST ADAPTERS			1
2	22146393	KIT, DEUTSCH TERMINAL REMOVAL TOOL	(size 20 through 8)		1
3	22281588	WRENCH, T- HANDLE HEX	5/32"		1
3	22282107	SCREW DRIVER, HEX	5/32"		1
3	22282172	FLEX DRIVER	3/4"		1
3	54740675	SERIAL CABLE, HEAVY DUTY	RS232		1
3	54699640	DEUTCH TERMINAL REMOVAL	tool size 20		1
3	54699632	DEUTCH TERMINAL REMOVAL	size 16		1
3	46490942	DEUTCH TERMINAL REMOVAL	size 14		1
3	54699624	DEUTCH TERMINAL REMOVAL	size 12		1
3	54699616	DEUTCH TERMINAL REMOVAL	size 8		1
3	54699657	DEUTCH WEDGELOCK AND TERMINAL REMOVAL TOOL			1
3	22216667	DEUTSCH TERMINAL CRIMP TOOL			1
3	54729660	PACKARD WEATHER- PACK TERMINAL REMOVAL TOOL			1
3	54749643	PACKARD METRI- PACK TERMINAL REMOVAL TOOL			1
3	46490959	PACKARD METRI- PACK TERMINAL REMOVAL TOOL			1
3	22254734	PACKARD WEATHER- PACK TERMINAL CRIMP TOOL			1
3	22216683	PACKARD METRI- PACK TERMINAL CRIMP TOOL			1
3	22255974	PACKARD METRI- PACK TERMINAL CRIMP TOOL			1
3	46490967	PACKARD METRI- PACK TERMINAL CRIMP TOOL			1
3	46490975	PACKARD METRI- PACK TERMINAL CRIMP TOOL			1
3	54749544	RTD SIMULATOR			1
3	54749551	THERMISTOR SIMULATOR			1
3	22073878	THERMISTOR SIMULATOR			1
3	22168868	PRESSURE TRANSDUCER SIMULATOR			1
3	54729710	ELECTRICAL CONTACT CLEANER			1
3	22409114	ELECTRICAL GREASE			1

SERVICE TOOLS (CONT'D)



T2595_01
08/12

CONNECTOR REPAIR KITS



Intentionally left blank

NUMERICAL INDEX

Part Number	Denomination	WAS	Page	Subgroup
			69	FUEL FILTER
15894686	PROTECTOR		69	FUEL FILTER
15894694	PIPE		69	FUEL FILTER
15894777	CLAMP		61	LUBE OIL SYSTEM
15894793	BOLT		71	STARTER MOTOR
15894819	BOLT		73	ALTERNATOR
15894827	SPACER		73	ALTERNATOR
15894835	ADJUSTER		73	ALTERNATOR
15894843	BOLT		73	ALTERNATOR
15895105	BOLT		65	COOLING SYSTEM
15895741	PACKING		55	OIL FILLER
15896095	BAFFLE		53	VALVE COVER
15896178	GASKET		57	INTAKE MANIFOLD
15896202	GASKET		57	INTAKE MANIFOLD
15896236	GASKET, EXHAUST MANIFO		59	EXHAUST MANIFOLD
15896590	GASKET		65	COOLING SYSTEM
15896608	BOLT		65	COOLING SYSTEM
15896616	PULLEY		65	COOLING SYSTEM
15896640	SPACER		65	COOLING SYSTEM
15896673	COVER, THERMOSTAT		65	COOLING SYSTEM
15896681	GASKET		65	COOLING SYSTEM
15896699	GASKET		65	COOLING SYSTEM
15896715	THERMOSTAT		65	COOLING SYSTEM
			97	RECOMMENDED SPARE PARTS
15896749	PLUG		65	COOLING SYSTEM
15896756	BOLT		53	VALVE COVER
15896764	GASKET		65	COOLING SYSTEM
			97	RECOMMENDED SPARE PARTS
15897069	BOLT		59	EXHAUST MANIFOLD
15898018	BOLT		73	ALTERNATOR
15898059	SWITCH, TEMPERATURE		65	COOLING SYSTEM
15898109	PLUG		65	COOLING SYSTEM
15898117	GUIDE, DIPSTICK		61	LUBE OIL SYSTEM
15898182	CAP, OIL FILLER		53	VALVE COVER
			55	OIL FILLER
			97	RECOMMENDED SPARE PARTS
15898216	KNOB		53	VALVE COVER
15898240	GASKET		65	COOLING SYSTEM
15898273	CLAMP		69	FUEL FILTER
15898349	HEAD, FUEL FILTER		69	FUEL FILTER
15898836	PLUG		61	LUBE OIL SYSTEM
15898851	WASHER		63	LUBE OIL SYSTEM
15898919	SCREW		53	VALVE COVER
15898927	GASKET		65	COOLING SYSTEM

Part Number	Denomination	WAS	Page	Subgroup
15898984	O-RING		53	VALVE COVER
			55	OIL FILLER
			97	RECOMMENDED SPARE PARTS
15899024	BOLT		63	LUBE OIL SYSTEM
15899032	BOLT		57	INTAKE MANIFOLD
			65	COOLING SYSTEM
15899040	BOLT		51	OIL SUMP
			63	LUBE OIL SYSTEM
			65	COOLING SYSTEM
15899099	BOLT		69	FUEL FILTER
15899107	BOLT		59	EXHAUST MANIFOLD
15899115	BOLT		57	INTAKE MANIFOLD
15899123	BOLT		57	INTAKE MANIFOLD
			59	EXHAUST MANIFOLD
15899149	BOLT		59	EXHAUST MANIFOLD
			65	COOLING SYSTEM
15899156	BOLT		57	INTAKE MANIFOLD
15899198	NUT		59	EXHAUST MANIFOLD
15899206	NUT		73	ALTERNATOR
15899438	BOLT		59	EXHAUST MANIFOLD
16538936	ELBOW, BREATHER		53	VALVE COVER
16538951	ADAPTOR		61	LUBE OIL SYSTEM
16538977	SWITCH, OIL PRESSURE		61	LUBE OIL SYSTEM
			97	RECOMMENDED SPARE PARTS
16538985	SWITCH ASSEMBLY		61	LUBE OIL SYSTEM
16539033	GASKET		59	EXHAUST MANIFOLD
16539041	HOSE		63	LUBE OIL SYSTEM
16539066	PIPE ASSEMBLY		61	LUBE OIL SYSTEM
16539074	PROTECTOR		61	LUBE OIL SYSTEM
16539082	NIPPLE		61	LUBE OIL SYSTEM
16539090	FAN		65	COOLING SYSTEM
16539108	TUBE		57	INTAKE MANIFOLD
16539116	ELBOW		63	LUBE OIL SYSTEM
16539132	ADAPTOR		61	LUBE OIL SYSTEM
16539157	STUD		59	EXHAUST MANIFOLD
16539165	ELBOW		61	LUBE OIL SYSTEM
16539173	GASKET		59	EXHAUST MANIFOLD
16539306	BRACKET		59	EXHAUST MANIFOLD
16539322	PIPE		59	EXHAUST MANIFOLD
16539363	COOLER, OIL		61	LUBE OIL SYSTEM
16539371	BRACKET, OIL COOLER		61	LUBE OIL SYSTEM
16539397	GASKET		63	LUBE OIL SYSTEM
16539405	PIPE		61	LUBE OIL SYSTEM
16539462	ELEMENT, FUEL FILTER		69	FUEL FILTER
16539496	TURBOCHARGER		59	EXHAUST MANIFOLD
16539512	CLAMP		65	COOLING SYSTEM
16539553	PIPE		63	LUBE OIL SYSTEM

Part Number	Denomination	WAS	Page	Subgroup
			63	LUBE OIL SYSTEM
16539611	CLAMP		57	INTAKE MANIFOLD
16539637	O-RING		61	LUBE OIL SYSTEM
16539645	V-BELT		65 97	COOLING SYSTEM RECOMMENDED SPARE PARTS
16539686	BOLT		65	COOLING SYSTEM
18034124	CABLE		3 9	RUNNING GEAR RUNNING GEAR
22051114	NUT		3 9	RUNNING GEAR RUNNING GEAR
22051122	BEARING		3 9	RUNNING GEAR RUNNING GEAR
22051205	LEVER		3 9	RUNNING GEAR RUNNING GEAR
22051411	SLIDER		3 9	RUNNING GEAR RUNNING GEAR
22051494	NUT		3 9	RUNNING GEAR RUNNING GEAR
22051510	COVER		3 9	RUNNING GEAR RUNNING GEAR
22051544	JOINT		3 9	RUNNING GEAR RUNNING GEAR
22051551	BUSH		3 9	RUNNING GEAR RUNNING GEAR
22051569	BOLT		3	RUNNING GEAR
22051577	NUT		3 9	RUNNING GEAR RUNNING GEAR
22051585	RING		3 9	RUNNING GEAR RUNNING GEAR
22051692	HANDLE		9	RUNNING GEAR
22051700	BOLT		9	RUNNING GEAR
22051718	HANDLE		9	RUNNING GEAR
22051742	CLAMP		3 9	RUNNING GEAR RUNNING GEAR
22051833	LEVER, HANDBRAKE		3	RUNNING GEAR
22051841	CABLE		3	RUNNING GEAR
22051858	LEVER		3	RUNNING GEAR
22051866	BOLT		3	RUNNING GEAR
22051882	WASHER		3	RUNNING GEAR
22052161	CAP		3 9	RUNNING GEAR RUNNING GEAR
22062335	DECAL, SOUND POWER		21	DECALS & DOCUMENTATION
22066823	LEVER, HANDBRAKE		9	RUNNING GEAR
22066914	LEVER, TRANSMISSION		9	RUNNING GEAR
22073878	THERMISTOR SIMULATOR		115	SERVICE TOOLS
22104806	WASHER		3 9	RUNNING GEAR RUNNING GEAR
22125173	RUNNING GEAR ASSEMBLY		9	RUNNING GEAR
22125181	RUNNING GEAR ASSEMBLY		3	RUNNING GEAR

Part Number	Denomination	WAS	Page	Subgroup
			9	RUNNING GEAR
22125587	WHEEL		3	RUNNING GEAR
			9	RUNNING GEAR
22125595	TYRE		3	RUNNING GEAR
			9	RUNNING GEAR
22126395	COMPENSATOR		9	RUNNING GEAR
22126437	JOCKEY WHEEL ASSEMBLY		3	RUNNING GEAR
			9	RUNNING GEAR
22146393	KIT, DEUTSCH TERMINAL R		115	SERVICE TOOLS
22147540	KIT, TEST ADAPTERS		115	SERVICE TOOLS
22163760	DROP-TUBE		83	FUEL SYSTEM
22167084	HOSE		83	FUEL SYSTEM
22168868	PRESSURE TRANSDUCER S		115	SERVICE TOOLS
22173181	BRACKET		77	AIR INTAKE
22173231	BRACKET		37	AIR INTAKE
22176655	BATTERY		25	INSTRUMENTATION & ELECTRICS
22177273	TUBE ASSEMBLY		39	OIL/AIR PIPING
22180384	BRACKET		81	COOLING SYSTEM
22180558	STRAP		83	FUEL SYSTEM
22182802	SPRING		3	RUNNING GEAR
			9	RUNNING GEAR
22184477	DECAL, FASCIA		25	INSTRUMENTATION & ELECTRICS
22185185	PANEL		19	ENCLOSURE
22197701	BRACKET		49	ENGINE ASSEMBLY
22208078	SILENCER		79	EXHAUST SYSTEM
22212013	HITCH, BALL		3	RUNNING GEAR
			9	RUNNING GEAR
22216667	DEUTSCH TERMINAL CRIMP		115	SERVICE TOOLS
22216683	PACKARD METRI- PACK TER		115	SERVICE TOOLS
22216691	DIGITAL MULTIMETER		115	SERVICE TOOLS
22216709	TEST LEAD SET, FLUKE		115	SERVICE TOOLS
22216725	WIRE INSULATION PIERCIN		115	SERVICE TOOLS
22216733	METER CASE, FLUKE		115	SERVICE TOOLS
22217640	PANEL		19	ENCLOSURE
22223648	TUBE ASSEMBLY		91	OPTION - AFTERCOOLER
22224000	TUBE ASSEMBLY		91	OPTION - AFTERCOOLER
22224422	AFTERCOOLER		91	OPTION - AFTERCOOLER
22226351	ELEMENT, OIL FILTER		61	LUBE OIL SYSTEM
			97	RECOMMENDED SPARE PARTS
			101	MAINTENANCE KIT
			103	MAINTENANCE KIT
22226377	ELEMENT, FUEL FILTER		97	RECOMMENDED SPARE PARTS
			101	MAINTENANCE KIT
			103	MAINTENANCE KIT
22226385	PUMP, FUEL LIFT		69	FUEL FILTER
			83	FUEL SYSTEM
			97	RECOMMENDED SPARE PARTS
22230775	HOSE		81	COOLING SYSTEM

Part Number	Denomination	WAS	Page	Subgroup
22241012	SHOE		3	RUNNING GEAR
			9	RUNNING GEAR
			107	MAINTENANCE KIT
22241020	PART		3	RUNNING GEAR
			9	RUNNING GEAR
22241038	PART		9	RUNNING GEAR
22241046	COVER		9	RUNNING GEAR
22241053	BOLT		9	RUNNING GEAR
22241061	PART		9	RUNNING GEAR
22241079	PART		9	RUNNING GEAR
22241087	PART		9	RUNNING GEAR
22241095	NIPPLE		9	RUNNING GEAR
22241103	DRUM, BRAKE		3	RUNNING GEAR
			9	RUNNING GEAR
22241111	SHOE		3	RUNNING GEAR
			9	RUNNING GEAR
			107	MAINTENANCE KIT
22241129	TUBE		3	RUNNING GEAR
22241137	SPRING		3	RUNNING GEAR
22241145	CABLE		3	RUNNING GEAR
			9	RUNNING GEAR
22241152	CABLE		9	RUNNING GEAR
22241160	PIN		3	RUNNING GEAR
			9	RUNNING GEAR
22241178	BOLT		9	RUNNING GEAR
22241186	SPRING		3	RUNNING GEAR
			9	RUNNING GEAR
			107	MAINTENANCE KIT
22241194	WASHER		3	RUNNING GEAR
22241202	SPRING		3	RUNNING GEAR
			9	RUNNING GEAR
			107	MAINTENANCE KIT
22241210	COVER		3	RUNNING GEAR
			9	RUNNING GEAR
22241228	BOLT		3	RUNNING GEAR
			9	RUNNING GEAR
22241301	BOLT		3	RUNNING GEAR
			9	RUNNING GEAR
22241319	KEY		3	RUNNING GEAR
			9	RUNNING GEAR
22241327	ROD		3	RUNNING GEAR
			9	RUNNING GEAR
22241335	SCREW		3	RUNNING GEAR
			9	RUNNING GEAR
22241343	SCREW		9	RUNNING GEAR
22241350	BOLT		9	RUNNING GEAR
22241368	SCREW		3	RUNNING GEAR
22241376	WASHER		3	RUNNING GEAR
22241384	COVER, CABLE		3	RUNNING GEAR
			9	RUNNING GEAR

Part Number	Denomination	WAS	Page	Subgroup
			9	RUNNING GEAR
22241400	NIPPLE		3	RUNNING GEAR
			9	RUNNING GEAR
22241418	CABLE		9	RUNNING GEAR
22241426	CAP		3	RUNNING GEAR
			9	RUNNING GEAR
22241434	HANDLE		9	RUNNING GEAR
22241442	CLAMP		3	RUNNING GEAR
			9	RUNNING GEAR
22241459	DRAWBAR		3	RUNNING GEAR
22241467	AXLE TUBE ASSEMBLY		3	RUNNING GEAR
			9	RUNNING GEAR
22241475	DAMPER		3	RUNNING GEAR
			9	RUNNING GEAR
22241483	CLEVIS		3	RUNNING GEAR
			9	RUNNING GEAR
22241491	WASHER		3	RUNNING GEAR
			9	RUNNING GEAR
22241509	RING, RETAINING		3	RUNNING GEAR
			9	RUNNING GEAR
22241517	PIN		3	RUNNING GEAR
			9	RUNNING GEAR
22241525	WASHER		3	RUNNING GEAR
22241533	SCREW		9	RUNNING GEAR
22241541	BOLT		9	RUNNING GEAR
22241558	NUT		3	RUNNING GEAR
22241566	PART		3	RUNNING GEAR
			9	RUNNING GEAR
22241582	SPRING		3	RUNNING GEAR
			9	RUNNING GEAR
			107	MAINTENANCE KIT
22252050	XHP 605 COMPRESSOR OIL		109	FLUIDS
22252076	XHP 605 COMPRESSOR OIL		109	FLUIDS
22252100	XHP 405 COMPRESSOR OIL		109	FLUIDS
22252126	XHP 405 COMPRESSOR OIL		109	FLUIDS
22252969	KIT, WIRE TERMINAL REPAI		119	CONNECTOR REPAIR KITS
22252993	KIT, WEDGE CONNECTOR R		119	CONNECTOR REPAIR KITS
22253017	KIT, ADHESIVE LINED HEAT		119	CONNECTOR REPAIR KITS
22254734	PACKARD WEATHER- PACK		115	SERVICE TOOLS
22254775	KIT, FUSES ASSORTMENT O		119	CONNECTOR REPAIR KITS
22255566	STARTER ASSEMBLY		71	STARTER MOTOR
			97	RECOMMENDED SPARE PARTS
22255574	ALTERNATOR		73	ALTERNATOR
			97	RECOMMENDED SPARE PARTS
22255974	PACKARD METRI- PACK TER		115	SERVICE TOOLS
22259956	BRACKET		89	OPTION - LUBRICATOR
22272611	AIR FILTER ASSEMBLY		37	AIR INTAKE
22281588	WRENCH, T- HANDLE HEX		115	SERVICE TOOLS
22282107	SCREW DRIVER, HEX		115	SERVICE TOOLS

Part Number	Denomination	WAS	Page	Subgroup
22314348	COUPLING		33 97	AIREND ASSEMBLY RECOMMENDED SPARE PARTS
22317697	SPACER		33	AIREND ASSEMBLY
22357529	BOLT		3 9	RUNNING GEAR RUNNING GEAR
22401855	SPRING		85	OPTION - GENERATOR
22409114	ELECTRICAL GREASE		115	SERVICE TOOLS
22454417	ORIFICE, SONIC		43 97	OIL/AIR PIPING RECOMMENDED SPARE PARTS
22454425	ORIFICE, SONIC		43 97	OIL/AIR PIPING RECOMMENDED SPARE PARTS
22645808	SPRING		3	RUNNING GEAR
22645824	DRAWBAR		3	RUNNING GEAR
22689400	SPLITTER, EXHAUST		19	ENCLOSURE
22716344	HOLDER, MANUAL		15	ENCLOSURE
22817365	CLIP, RETAINING		83	FUEL SYSTEM
23189087	ENGINE		49	ENGINE ASSEMBLY
23212863	LAMP, REVERSE		15	ENCLOSURE
23215171	SHROUD		81	COOLING SYSTEM
23215767	PIPE		79	EXHAUST SYSTEM
23216435	HOSE		77	AIR INTAKE
23217771	GUARD		81	COOLING SYSTEM
23226970	HOSE ASSEMBLY		39	OIL/AIR PIPING
23228406	PANEL		15	ENCLOSURE
23261290	BRACKET		29	INSTRUMENTATION & ELECTRICS
23285679	OIL PAN ASSEMBLY		51	OIL SUMP
23285711	PLUG		51 97	OIL SUMP RECOMMENDED SPARE PARTS
23285737	WASHER		51	OIL SUMP
23285752	COVER ASSEMBLY		53	VALVE COVER
23285760	PLATE		53	VALVE COVER
23285778	BAFFLE		53	VALVE COVER
23285786	GASKET		53 97	VALVE COVER RECOMMENDED SPARE PARTS
23285794	CLIP		53	VALVE COVER
23285901	MANIFOLD ASSEMBLY, INTA		57	INTAKE MANIFOLD
23285927	MANIFOLD, INTAKE		57	INTAKE MANIFOLD
23285935	VALVE		57	INTAKE MANIFOLD
23285943	SPACER		57	INTAKE MANIFOLD
23285950	GASKET		57	INTAKE MANIFOLD
23285968	STUD		57	INTAKE MANIFOLD
23285976	TUBE		57	INTAKE MANIFOLD
23285984	ELBOW		57	INTAKE MANIFOLD
23285992	CLAMP		57	INTAKE MANIFOLD
23286008	GASKET		57	INTAKE MANIFOLD
23286016	HEATER, AIR		57	INTAKE MANIFOLD

Part Number	Denomination	WAS	Page	Subgroup
23286040	BOLT		57	INTAKE MANIFOLD
23286057	EXHAUST MANIFOLD ASSE		59	EXHAUST MANIFOLD
23286073	COOLER, EGR		59	EXHAUST MANIFOLD
23286081	GASKET, EGR COOLER		59	EXHAUST MANIFOLD
23286107	BOLT		59	EXHAUST MANIFOLD
23286123	ELBOW		59	EXHAUST MANIFOLD
23286131	GASKET		59	EXHAUST MANIFOLD
23286149	COOLER		59	EXHAUST MANIFOLD
23286156	BOLT		59	EXHAUST MANIFOLD
23286164	VALVE, EGR		59	EXHAUST MANIFOLD
23286172	GASKET		59	EXHAUST MANIFOLD
23286180	GASKET		59	EXHAUST MANIFOLD
23286198	BOLT		59	EXHAUST MANIFOLD
23286206	BOLT		59	EXHAUST MANIFOLD
23286214	BOLT		59	EXHAUST MANIFOLD
23286222	O-RING		61	LUBE OIL SYSTEM
23286230	DIPSTICK		61	LUBE OIL SYSTEM
23286271	WATER PUMP ASSEMBLY		65	COOLING SYSTEM
23286289	CASE ASSEMBLY, THERMO		65	COOLING SYSTEM
23286297	SWITCH, TEMPERATURE		65	COOLING SYSTEM
23286305	TEE W/ PLUG		65	COOLING SYSTEM
23286313	TEE		65	COOLING SYSTEM
23286321	SEAL		65	COOLING SYSTEM
23286339	PIPE ASSEMBLY		65	COOLING SYSTEM
23286347	CLAMP		65	COOLING SYSTEM
23286354	PIPE ASSEMBLY		65	COOLING SYSTEM
23286362	FITTING		65	COOLING SYSTEM
23286370	PIPE ASSEMBLY		65	COOLING SYSTEM
23286388	PIPE ASSEMBLY		65	COOLING SYSTEM
23286396	CRIP		65	COOLING SYSTEM
23286511	PIPE ASSEMBLY		69	FUEL FILTER
23286560	ECU		29	INSTRUMENTATION & ELECTRICS
23286610	RELAY		29 75 97	INSTRUMENTATION & ELECTRICS ECU RECOMMENDED SPARE PARTS
23307598	RADIATOR		81	COOLING SYSTEM
23307630	BAIL, LIFTING		15	ENCLOSURE
23316003	GUARD		81	COOLING SYSTEM
23316979	GUARD		81	COOLING SYSTEM
23328040	FRAME		15	ENCLOSURE
23329782	BAIL, LIFTING ASSEMBLY		15	ENCLOSURE
23329808	BAIL, LIFTING ASSEMBLY		15	ENCLOSURE
23330392	BAFFLE		19	ENCLOSURE
23341092	CABLE		25	INSTRUMENTATION & ELECTRICS
23343080	HARNESS		25 47	INSTRUMENTATION & ELECTRICS REGULATION SYSTEM

Part Number	Denomination	WAS	Page	Subgroup
23343155	ENCLOSURE, FIXED		19	ENCLOSURE
23343601	BRACKET		15 29	ENCLOSURE INSTRUMENTATION & ELECTRICS
23344104	MANUAL, OPERATION AND		21	DECALS & DOCUMENTATION
23344252	MANUAL, OPERATION AND		21	DECALS & DOCUMENTATION
23344260	MANUAL, OPERATION AND		21	DECALS & DOCUMENTATION
23344278	MANUAL, OPERATION AND		21	DECALS & DOCUMENTATION
23344294	MANUAL, OPERATION AND		21	DECALS & DOCUMENTATION
23346257	TOOLBOX		95	OPTION - TOOLBOX
23350283	HOSE		93	OPTION - OVERSPEED VALVE
23350333	HOSE		93	OPTION - OVERSPEED VALVE
23350507	PULLEY		85	OPTION - GENERATOR
23353873	GUARD, PULLEY		85	OPTION - GENERATOR
23353881	GUARD, FAN		85	OPTION - GENERATOR
23359441	HARNESS		31	INSTRUMENTATION & ELECTRICS
23360993	PANEL, INSTRUMENT ASSE		25	INSTRUMENTATION & ELECTRICS
23361439	MANUAL, PARTS CATALOGU		21	DECALS & DOCUMENTATION
23362841	LAMP		29 97	INSTRUMENTATION & ELECTRICS RECOMMENDED SPARE PARTS
35119718	CLIP, RETAINING		81	COOLING SYSTEM
35132877	HOSE ASSEMBLY		39	OIL/AIR PIPING
35255553	BUTTON, START / RUN		25	INSTRUMENTATION & ELECTRICS
35271170	SCREW		79	EXHAUST SYSTEM
35278555	PLUG, ADAPTER		35	AIREND ASSEMBLY
35278589	O-RING		35 105	AIREND ASSEMBLY MAINTENANCE KIT
35279777	ELBOW		43 91	OIL/AIR PIPING OPTION - AFTERCOOLER
35279785	ADAPTOR		43	OIL/AIR PIPING
35279942	O-RING		43	OIL/AIR PIPING
35282292	TUBING, TYGON		35	AIREND ASSEMBLY
35283472	CONNECTOR		47	REGULATION SYSTEM
35288448	BALL		39	OIL/AIR PIPING
35291384	ELBOW		39	OIL/AIR PIPING
35294339	WASHER, SPRING		85	OPTION - GENERATOR
35294628	GASKET, MANIFOLD		43	OIL/AIR PIPING
35295773	CLAMP		93	OPTION - OVERSPEED VALVE
35295781	CLAMP		77	AIR INTAKE
35300771	SCREW		15 81	ENCLOSURE COOLING SYSTEM
35301506	ELBOW		39	OIL/AIR PIPING
35307206	ELBOW		39	OIL/AIR PIPING
35314939	INDICATOR, AIR RESTRICTI		37 77 93 97	AIR INTAKE AIR INTAKE OPTION - OVERSPEED VALVE RECOMMENDED SPARE PARTS
35316587	ADAPTOR, BARBED		35	AIREND ASSEMBLY

Part Number	Denomination	WAS	Page	Subgroup
			105	MAINTENANCE KIT
35317205	WASHER, PISTON		35	AIREND ASSEMBLY
35317213	PIN		35	AIREND ASSEMBLY
35317239	WASHER, PISTON		35	AIREND ASSEMBLY
35318005	BUSHING, PISTON		35	AIREND ASSEMBLY
			105	MAINTENANCE KIT
35318013	BUSHING, HOUSING		35	AIREND ASSEMBLY
			105	MAINTENANCE KIT
35318914	SPRING		35	AIREND ASSEMBLY
			105	MAINTENANCE KIT
35320688	BUSH		85	OPTION - GENERATOR
35321421	KEY		33	AIREND ASSEMBLY
35321595	SCREW		35	AIREND ASSEMBLY
35322767	SPRING, PISTON		35	AIREND ASSEMBLY
			105	MAINTENANCE KIT
35323864	HOSE ASSEMBLY		39	OIL/AIR PIPING
35355106	REGULATOR		47	REGULATION SYSTEM
			97	RECOMMENDED SPARE PARTS
35359090	REGULATOR		47	REGULATION SYSTEM
			97	RECOMMENDED SPARE PARTS
35364306	LUBRICATOR, AIR LINE		113	AIR HOSE FITTINGS
35364314	LUBRICATOR, AIR LINE		113	AIR HOSE FITTINGS
35364322	LUBRICATOR, AIR LINE		113	AIR HOSE FITTINGS
35371103	LUBRICATOR, AIR LINE		113	AIR HOSE FITTINGS
35371111	LUBRICATOR, AIR LINE		113	AIR HOSE FITTINGS
35371129	LUBRICATOR, AIR LINE		113	AIR HOSE FITTINGS
35376342	SPRING		25	INSTRUMENTATION & ELECTRICS
35379940	SPRING		39	OIL/AIR PIPING
35393990	HOSE		111	AIR DELIVERY HOSE
35579630	PLUG		43	OIL/AIR PIPING
35584242	GASKET		39	OIL/AIR PIPING
35588193	PISTON, UNLOADER		35	AIREND ASSEMBLY
35588300	GASKET, PISTON		35	AIREND ASSEMBLY
			105	MAINTENANCE KIT
35588318	GASKET, UNLOADER INLET		35	AIREND ASSEMBLY
			105	MAINTENANCE KIT
35591122	VALVE, UNLOADER		35	AIREND ASSEMBLY
35596436	SWITCH, TEMPERATURE		33	AIREND ASSEMBLY
			97	RECOMMENDED SPARE PARTS
35833227	HOUSING, PISTON		35	AIREND ASSEMBLY
35836949	COVER, PISTON		35	AIREND ASSEMBLY
36710036	MANIFOLD, SERVICE		43	OIL/AIR PIPING
36769560	CAP, FILLER		81	COOLING SYSTEM
			97	RECOMMENDED SPARE PARTS
36782019	ELEMENT, THERMOSTATIC		39	OIL/AIR PIPING
			97	RECOMMENDED SPARE PARTS
36786382	SCREW		39	OIL/AIR PIPING
36788164	PLUG		39	OIL/AIR PIPING

Part Number	Denomination	WAS	Page	Subgroup
36867174	PANEL		15	ENCLOSURE
36875565	MOUNT		49	ENGINE ASSEMBLY
36876753	HOUSING		39	OIL/AIR PIPING
36876761	HOUSING		39	OIL/AIR PIPING
36876779	COVER, OTBV		39	OIL/AIR PIPING
36878361	RELAY		29 97	INSTRUMENTATION & ELECTRICS RECOMMENDED SPARE PARTS
36880995	SCREW		33	AIREND ASSEMBLY
36884948	TANK, EXPANSION		81	COOLING SYSTEM
36889202	GASKET		35 105	AIREND ASSEMBLY MAINTENANCE KIT
36920825	TRANSDUCER, PRESSURE		47	REGULATION SYSTEM
36923571	TUBE ASSEMBLY		39	OIL/AIR PIPING
39404165	O-RING		33	AIREND ASSEMBLY
46490942	DEUTCH TERMINAL REMOV		115	SERVICE TOOLS
46490959	PACKARD METRI- PACK TER		115	SERVICE TOOLS
46490967	PACKARD METRI- PACK TER		115	SERVICE TOOLS
46490975	PACKARD METRI- PACK TER		115	SERVICE TOOLS
46490983	KIT, DEUTSCH CONNECTOR		119	CONNECTOR REPAIR KITS
46491296	KIT, PACKARD CONNECTOR		119	CONNECTOR REPAIR KITS
46491304	KIT, CATERPILLAR C9, C15,		119	CONNECTOR REPAIR KITS
46491312	KIT, OTC AND AUTOSTART		119	CONNECTOR REPAIR KITS
46491320	AMP AMPSEAL TERMINAL C		115	SERVICE TOOLS
46491338	MOLEX 1.5 TERMINAL CRIM		115	SERVICE TOOLS
46491346	MOLEX 0.6 TERMINAL CRIM		115	SERVICE TOOLS
46491361	MOLEX 0.6 TERMINAL REMO		115	SERVICE TOOLS
46491411	KIT, JOHN DEERE AND YAN		119	CONNECTOR REPAIR KITS
46491429	KIT, CUMMINS QSX15 ENGIN		119	CONNECTOR REPAIR KITS
46491502	KIT, SECU AND REMOTE CO		119	CONNECTOR REPAIR KITS
46491569	KIT, CUMMINS OSL9 AND QS		119	CONNECTOR REPAIR KITS
46491653	MOLEX 1.5 TERMINAL REMO		115	SERVICE TOOLS
46499364	CONTROLLER, SECU		29 97	INSTRUMENTATION & ELECTRICS RECOMMENDED SPARE PARTS
46517850	KIT		97 105	RECOMMENDED SPARE PARTS MAINTENANCE KIT
46517868	BRAKE PAD KIT		97 107	RECOMMENDED SPARE PARTS MAINTENANCE KIT
46551221	CJ4 ENGINE OIL		109	FLUIDS
46551222	CJ4 ENGINE OIL		109	FLUIDS
46551223	CJ4 ENGINE OIL		109	FLUIDS
46552247	MANUAL, OPERATION AND		21	DECALS & DOCUMENTATION
46552248	MANUAL, OPERATION AND		21	DECALS & DOCUMENTATION
46552249	MANUAL, OPERATION AND		21	DECALS & DOCUMENTATION
46552250	MANUAL, OPERATION AND		21	DECALS & DOCUMENTATION
46552251	MANUAL, OPERATION AND		21	DECALS & DOCUMENTATION
46552252	MANUAL, OPERATION AND		21	DECALS & DOCUMENTATION

Part Number	Denomination	WAS	Page	Subgroup
46552254	MANUAL, OPERATION AND		21	DECALS & DOCUMENTATION
46552255	MANUAL, OPERATION AND		21	DECALS & DOCUMENTATION
46552256	MANUAL, OPERATION AND		21	DECALS & DOCUMENTATION
46553655	EYE, TOWING		3 9	RUNNING GEAR RUNNING GEAR
46556137	DECAL, BLACK WEB SITE		21	DECALS & DOCUMENTATION
46569660	HITCH, BALL		3 9	RUNNING GEAR RUNNING GEAR
46569679	EYE, TOWING		3 9	RUNNING GEAR RUNNING GEAR
46569683	EYE, TOWING		3 9	RUNNING GEAR RUNNING GEAR
46569699	EYE, TOWING		3 9	RUNNING GEAR RUNNING GEAR
46573861	DECAL, DOOSAN TRI-COLO		21	DECALS & DOCUMENTATION
46573923	DECAL, DOOSAN LOGO		21	DECALS & DOCUMENTATION
46576205	DECAL, MODEL NUMBER 7/7		21	DECALS & DOCUMENTATION
46576206	DECAL, MODEL NUMBER 12/		21	DECALS & DOCUMENTATION
46584999	SCREW		15	ENCLOSURE
54372842	BAFFLE		81	COOLING SYSTEM
54372859	BAFFLE		81	COOLING SYSTEM
54390943	AIREND		33	AIREND ASSEMBLY
54390950	ADAPTOR		33	AIREND ASSEMBLY
54403191	ELBOW		43 89	OIL/AIR PIPING OPTION - LUBRICATOR
54403209	ELBOW		89	OPTION - LUBRICATOR
54403266	ELBOW		47	REGULATION SYSTEM
54403274	ELBOW		47	REGULATION SYSTEM
54414420	OTBV ASSEMBLY		39	OIL/AIR PIPING
54425335	BODY		35	AIREND ASSEMBLY
54436845	VALVE ASSEMBLY, UNLOAD		35	AIREND ASSEMBLY
54443213	SPRING		19 97	ENCLOSURE RECOMMENDED SPARE PARTS
54468160	FILTER ASSEMBLY		83	FUEL SYSTEM
54468178	ELEMENT, WATER SEPARA		83 97 101 103	FUEL SYSTEM RECOMMENDED SPARE PARTS MAINTENANCE KIT MAINTENANCE KIT
54471057	ISOLATOR		33	AIREND ASSEMBLY
54471677	BRACKET		33	AIREND ASSEMBLY
54471685	BRACKET		33	AIREND ASSEMBLY
54480504	BOWL		83	FUEL SYSTEM
54480512	HEAD		83	FUEL SYSTEM
54485222	ELBOW		83	FUEL SYSTEM
54501648	SUPPORT		15	ENCLOSURE
54509682	PANEL		81	COOLING SYSTEM
54509690	PANEL		81	COOLING SYSTEM

Part Number	Denomination	WAS	Page	Subgroup
54510011	PANEL		81	COOLING SYSTEM
54510029	PANEL		81	COOLING SYSTEM
54511209	SUPPORT		15	ENCLOSURE
54512793	PANEL		15	ENCLOSURE
54525233	TUBE ASSEMBLY		43	OIL/AIR PIPING
54530191	TANK, FUEL		83	FUEL SYSTEM
54538442	PANEL		81	COOLING SYSTEM
54563663	PANEL		15	ENCLOSURE
54570338	TUBE ASSEMBLY		43	OIL/AIR PIPING
54573191	PLATE, ADAPTOR		43	OIL/AIR PIPING
54576624	HOSE		83	FUEL SYSTEM
54580279	NIPPLE		43	OIL/AIR PIPING
54581152	BRACKET		85	OPTION - GENERATOR
54581178	LEVER		85	OPTION - GENERATOR
54582325	DRIPTRAY		25	INSTRUMENTATION & ELECTRICS
54588009	TANK, SEPARATOR		43	OIL/AIR PIPING
54588017	TANK, SEPARATOR		43	OIL/AIR PIPING
54589932	TUBE ASSEMBLY		91	OPTION - AFTERCOOLER
54590815	BRACKET		91	OPTION - AFTERCOOLER
54603337	PULLEY		85	OPTION - GENERATOR
54621131	BRACKET		85	OPTION - GENERATOR
54621149	BELT, DRIVE		85	OPTION - GENERATOR
54624754	HOSE		37	AIR INTAKE
54625942	ELEMENT, SEPARATOR		43	OIL/AIR PIPING
			97	RECOMMENDED SPARE PARTS
			103	MAINTENANCE KIT
54626452	ELEMENT, AIR FILTER		37	AIR INTAKE
			97	RECOMMENDED SPARE PARTS
			101	MAINTENANCE KIT
			103	MAINTENANCE KIT
54626999	SENSOR		83	FUEL SYSTEM
			97	RECOMMENDED SPARE PARTS
54629340	CONNECTOR		43	OIL/AIR PIPING
54629753	EYE		15	ENCLOSURE
54629761	EYE		15	ENCLOSURE
54629787	SPACER		15	ENCLOSURE
54640453	CLIP, RETAINING		77	AIR INTAKE
54652839	ENCLOSURE, FIXED		19	ENCLOSURE
54652847	DOOR		19	ENCLOSURE
54652862	PANEL		15	ENCLOSURE
54652870	PANEL		15	ENCLOSURE
54660287	BRACKET		79	EXHAUST SYSTEM
54660303	BRACKET		79	EXHAUST SYSTEM
54666326	COOLER, OIL		81	COOLING SYSTEM
54685292	BAFFLE		91	OPTION - AFTERCOOLER
54687801	BRACKET		15	ENCLOSURE

Part Number	Denomination	WAS	Page	Subgroup
54699624	DEUTCH TERMINAL REMOV		115	SERVICE TOOLS
54699632	DEUTCH TERMINAL REMOV		115	SERVICE TOOLS
54699640	DEUTCH TERMINAL REMOV		115	SERVICE TOOLS
54699657	DEUTCH WEDGELOCK AND		115	SERVICE TOOLS
54715842	CLAMP		79	EXHAUST SYSTEM
54726922	PIPE		79	EXHAUST SYSTEM
54729660	PACKARD WEATHER- PACK		115	SERVICE TOOLS
54729710	ELECTRICAL CONTACT CLE		115	SERVICE TOOLS
54730254	PANEL		15	ENCLOSURE
54739701	HOSE ASSEMBLY		43	OIL/AIR PIPING
54739719	HOSE ASSEMBLY		83	FUEL SYSTEM
54740675	SERIAL CABLE, HEAVY DUT		115	SERVICE TOOLS
54748363	VALVE, BLOWDOWN		47 97	REGULATION SYSTEM RECOMMENDED SPARE PARTS
54749544	RTD SIMULATOR		115	SERVICE TOOLS
54749551	THERMISTOR SIMULATOR		115	SERVICE TOOLS
54749643	PACKARD METRI- PACK TER		115	SERVICE TOOLS
54751532	ELEMENT, AIR FILTER		37 97 103	AIR INTAKE RECOMMENDED SPARE PARTS MAINTENANCE KIT
54755111	COUPLING, HUB		33	AIREND ASSEMBLY
54758198	PLATE, COVER		19	ENCLOSURE
54774492	EYE, TOWING		3 9	RUNNING GEAR RUNNING GEAR
54774500	EYE, TOWING		3 9	RUNNING GEAR RUNNING GEAR
54774518	EYE, TOWING		3 9	RUNNING GEAR RUNNING GEAR
54774534	EYE, TOWING		3 9	RUNNING GEAR RUNNING GEAR
54774542	EYE, TOWING		3 9	RUNNING GEAR RUNNING GEAR
80022833	GASKET		43	OIL/AIR PIPING
80029978	KIT, 500 HOURS		101	MAINTENANCE KIT
80029986	KIT, 1000 HOURS		103	MAINTENANCE KIT
85052751	ELEMENT, OIL FILTER		97 101 103	RECOMMENDED SPARE PARTS MAINTENANCE KIT MAINTENANCE KIT
85433340	WASHER		83	FUEL SYSTEM
85433860	BRACKET, SUPPORT		37	AIR INTAKE
85433878	CAP, END		37	AIR INTAKE
85433886	VALVE, VACUATOR		77	AIR INTAKE
85433894	BRACKET, SUPPORT		77	AIR INTAKE
85433902	CAP, END		77	AIR INTAKE
88091095	DOOR ASSEMBLY		25	INSTRUMENTATION & ELECTRICS
88091889	BUSH		85	OPTION - GENERATOR
88091996	PLATE, RETAINING		25	INSTRUMENTATION & ELECTRICS

Part Number	Denomination	WAS	Page	Subgroup
88132386	PANEL		15	ENCLOSURE
88144266	ADAPTOR		39	OIL/AIR PIPING
89203822	BRACKET		15	ENCLOSURE
89204721	AIR FILTER ASSEMBLY		77	AIR INTAKE
89230494	GENERATOR		85	OPTION - GENERATOR
89230759	CAP		83 97	FUEL SYSTEM RECOMMENDED SPARE PARTS
89232474	ELEMENT, AIR FILTER		77 97 101 103	AIR INTAKE RECOMMENDED SPARE PARTS MAINTENANCE KIT MAINTENANCE KIT
89253991	ADAPTOR		47	REGULATION SYSTEM
89257489	GROMMET		83	FUEL SYSTEM
89257497	ELBOW, BARBED		83	FUEL SYSTEM
89259485	VALVE, SAFETY		43 97	OIL/AIR PIPING RECOMMENDED SPARE PARTS
89281760	CONNECTOR		39	OIL/AIR PIPING
89284558	FUSE		25 97	INSTRUMENTATION & ELECTRICS RECOMMENDED SPARE PARTS
89284871	TUBE		43	OIL/AIR PIPING
89292973	PRO-TEC COMPRESSOR OIL		109	FLUIDS
89292981	PRO-TEC COMPRESSOR OIL		109	FLUIDS
89298491	DECAL, PROTEC OIL		23	DECALS & DOCUMENTATION
89299564	CONNECTOR		47	REGULATION SYSTEM
89303853	CLAMP		93	OPTION - OVERSPEED VALVE
89308191	VALVE, SAFETY		43 97	OIL/AIR PIPING RECOMMENDED SPARE PARTS
89310718	HOSE		111	AIR DELIVERY HOSE
89311716	PRO-TEC ENGINE OIL		109	FLUIDS
89311724	PRO-TEC ENGINE OIL		109	FLUIDS
90103839	NUT		35	AIREND ASSEMBLY
90103854	NUT		85	OPTION - GENERATOR
90141078	BOLT		49 85	ENGINE ASSEMBLY OPTION - GENERATOR
91112185	SEPARATOR, WATER		91	OPTION - AFTERCOOLER
92005701	NIPPLE		47 89	REGULATION SYSTEM OPTION - LUBRICATOR
92035187	PIN, LOCATING		15	ENCLOSURE
92040294	STUD		35	AIREND ASSEMBLY
92042241	WASHER		25	INSTRUMENTATION & ELECTRICS
92043017	VALVE		89	OPTION - LUBRICATOR
92047331	HOSE		111	AIR DELIVERY HOSE
92050376	SCREW		15	ENCLOSURE
92058429	WASHER		49	ENGINE ASSEMBLY
92061506	WASHER		85	OPTION - GENERATOR
92063296	COUPLING, MALE		113	AIR HOSE FITTINGS
92063379	COUPLING, HOSE		113	AIR HOSE FITTINGS

Part Number	Denomination	WAS	Page	Subgroup
92067982	TUBE, NYLON		89	OPTION - LUBRICATOR
92075530	KEY		25	INSTRUMENTATION & ELECTRICS
92076173	RELAY		25	INSTRUMENTATION & ELECTRICS
92079326	CONNECTOR		39	OIL/AIR PIPING
92079755	FILTER ASSEMBLY		39	OIL/AIR PIPING
92085729	REFLECTOR, WHITE		15	ENCLOSURE
92086719	SWITCH, KEY		25 97	INSTRUMENTATION & ELECTRICS RECOMMENDED SPARE PARTS
92087832	ELBOW		39 91	OIL/AIR PIPING OPTION - AFTERCOOLER
92087840	ADAPTOR		91	OPTION - AFTERCOOLER
92094358	KEY		19	ENCLOSURE
92096015	SCREW		29 81 83	INSTRUMENTATION & ELECTRICS COOLING SYSTEM FUEL SYSTEM
92101112	SCREW		33 43 83 85	AIREND ASSEMBLY OIL/AIR PIPING FUEL SYSTEM OPTION - GENERATOR
92104132	CONNECTOR		43	OIL/AIR PIPING
92111228	VALVE, BALL		43	OIL/AIR PIPING
92111335	HOSE, TRANSPARENT		81	COOLING SYSTEM
92111418	SEAL		43	OIL/AIR PIPING
92112226	HOSE		111	AIR DELIVERY HOSE
92117696	CLAMP		37	AIR INTAKE
92118678	ELEMENT		39	OIL/AIR PIPING
92121243	REFLECTOR, AMBER		15	ENCLOSURE
92121250	LIGHT, FRONT SIDE		15	ENCLOSURE
92123207	ELBOW		47	REGULATION SYSTEM
92148014	BOLT		85	OPTION - GENERATOR
92150978	COUPLING, HOSE		113	AIR HOSE FITTINGS
92150986	CLAMP, HOSE		113	AIR HOSE FITTINGS
92172600	CLAMP		37	AIR INTAKE
92176114	SCREW		37	AIR INTAKE
92176916	CONNECTOR		39	OIL/AIR PIPING
92178524	COUPLING		43 113	OIL/AIR PIPING AIR HOSE FITTINGS
92178532	COUPLING, FEMALE		113	AIR HOSE FITTINGS
92178565	SEAL		113	AIR HOSE FITTINGS
92179043	SCREW		25	INSTRUMENTATION & ELECTRICS
92184811	SCREW		15 19 25 95	ENCLOSURE ENCLOSURE INSTRUMENTATION & ELECTRICS OPTION - TOOLBOX
92185016	ELBOW		89	OPTION - LUBRICATOR
92253079	CLAMP		79	EXHAUST SYSTEM
92253129	CLAMP		81	COOLING SYSTEM
92253194	CLAMP, HOSE		31	INSTRUMENTATION & ELECTRICS

Part Number	Denomination	WAS	Page	Subgroup
92271915	RIVET		15	ENCLOSURE
92280817	HOLDER		31	INSTRUMENTATION & ELECTRICS
92280981	SCREW		49	ENGINE ASSEMBLY
92290162	SEAL		43 89	OIL/AIR PIPING OPTION - LUBRICATOR
92293661	O-RING		43	OIL/AIR PIPING
92294461	VALVE, BALL		43	OIL/AIR PIPING
92304336	SCREW		35	AIREND ASSEMBLY
92304351	SCREW		35	AIREND ASSEMBLY
92304393	BOLT		43	OIL/AIR PIPING
92304401	SCREW		35 43	AIREND ASSEMBLY OIL/AIR PIPING
92304435	BOLT		15	ENCLOSURE
92304443	SCREW		43	OIL/AIR PIPING
92304567	NUT		49	ENGINE ASSEMBLY
92304583	WASHER		15	ENCLOSURE
92304591	WASHER		25	INSTRUMENTATION & ELECTRICS
92304625	WASHER		43	OIL/AIR PIPING
92304641	WASHER		15	ENCLOSURE
92304666	LOCKWASHER		19	ENCLOSURE
92304674	LOCKWASHER		43 49 85	OIL/AIR PIPING ENGINE ASSEMBLY OPTION - GENERATOR
92304682	LOCKWASHER		85	OPTION - GENERATOR
92306901	HOURLMETER		25	INSTRUMENTATION & ELECTRICS
92311695	LOCKNUT		33	AIREND ASSEMBLY
92329283	WASHER		43	OIL/AIR PIPING
92338946	SEAL		43	OIL/AIR PIPING
92340058	SCREW		15	ENCLOSURE
92340439	WASHER		15	ENCLOSURE
92340447	WASHER, SPRING		15	ENCLOSURE
92340454	NUT		15	ENCLOSURE
92354729	TEE		89	OPTION - LUBRICATOR
92368075	RIVET		25	INSTRUMENTATION & ELECTRICS
92368687	SCREW		19 81	ENCLOSURE COOLING SYSTEM
92395508	ELBOW		39	OIL/AIR PIPING
92398106	NUT		25 79	INSTRUMENTATION & ELECTRICS EXHAUST SYSTEM
92398114	NUT		15 79 81 83 85	ENCLOSURE EXHAUST SYSTEM COOLING SYSTEM FUEL SYSTEM OPTION - GENERATOR
92398122	SCREW		19	ENCLOSURE
92398130	SCREW		81 83	COOLING SYSTEM FUEL SYSTEM
92398239	SCREW		15	ENCLOSURE

Part Number	Denomination	WAS	Page	Subgroup
92465590	CAPSCREW		85	OPTION - GENERATOR
92472638	SCREW		15 39 89	ENCLOSURE OIL/AIR PIPING OPTION - LUBRICATOR
92472935	SCREW		49	ENGINE ASSEMBLY
92473586	SCREW		85	OPTION - GENERATOR
92473594	NUT		89	OPTION - LUBRICATOR
92479757	BULB, LIGHT		15	ENCLOSURE
92490358	TUBE, NYLON		39 47 89	OIL/AIR PIPING REGULATION SYSTEM OPTION - LUBRICATOR
92497700	PLUG		35	AIREND ASSEMBLY
92546613	BOLT		33	AIREND ASSEMBLY
92549195	ORIFICE, SILENCER		47 97	REGULATION SYSTEM RECOMMENDED SPARE PARTS
92549369	ORIFICE, SILENCER		47 97	REGULATION SYSTEM RECOMMENDED SPARE PARTS
92659432	SCREW		15	ENCLOSURE
92659713	STUD		25	INSTRUMENTATION & ELECTRICS
92659747	WASHER		25	INSTRUMENTATION & ELECTRICS
92690890	PULLEY		85	OPTION - GENERATOR
92699412	KIT, EARTH SPIKE		85	OPTION - GENERATOR
92699420	SPIKE, EARTH		85	OPTION - GENERATOR
92699438	CABLE, EARTH		85	OPTION - GENERATOR
92699461	COUPLING		43	OIL/AIR PIPING
92708999	SCREW		79	EXHAUST SYSTEM
92721331	REFLECTOR, RED		15	ENCLOSURE
92725837	ELBOW		39	OIL/AIR PIPING
92737840	HOSE		111	AIR DELIVERY HOSE
92737857	HOSE		111	AIR DELIVERY HOSE
92737972	COUPLING, FEMALE		113	AIR HOSE FITTINGS
92737980	COUPLING, MALE		113	AIR HOSE FITTINGS
92737998	COUPLING, FEMALE		113	AIR HOSE FITTINGS
92738004	COUPLING, FEMALE		113	AIR HOSE FITTINGS
92750454	SCREW		33 39	AIREND ASSEMBLY OIL/AIR PIPING
92757632	WASHER		15	ENCLOSURE
92762756	SWITCH, TEMPERATURE		43 97	OIL/AIR PIPING RECOMMENDED SPARE PARTS
92776749	STUD		25	INSTRUMENTATION & ELECTRICS
92783281	PLUG		15 19	ENCLOSURE ENCLOSURE
92788959	ADAPTOR		47	REGULATION SYSTEM
92789296	ELBOW		39	OIL/AIR PIPING
92789734	CABLE, EARTH		25	INSTRUMENTATION & ELECTRICS
92790476	EYE		25	INSTRUMENTATION & ELECTRICS
92793124	VALVE, SOLENOID		47	REGULATION SYSTEM

Part Number	Denomination	WAS	Page	Subgroup
92799378	TUBE, NYLON		47	REGULATION SYSTEM
92799436	ELBOW		47	REGULATION SYSTEM
92799444	ELBOW		47	REGULATION SYSTEM
92799519	PROTECTOR, REAR		15	ENCLOSURE
92799527	SPACER		25	INSTRUMENTATION & ELECTRICS
92799840	SPRING		25	INSTRUMENTATION & ELECTRICS
92803790	BASE, CABLE TIE		31	INSTRUMENTATION & ELECTRICS
92803808	CLIP, RETAINING		31	INSTRUMENTATION & ELECTRICS
92807585	PROTECTOR		15	ENCLOSURE
92816743	HINGE		19	ENCLOSURE
92816859	LATCH		19	ENCLOSURE
92816974	MUDGUARD		15	ENCLOSURE
92816982	BAR, BUMPER		15	ENCLOSURE
92822378	PLATE, COVER		15	ENCLOSURE
92823913	ELBOW		89	OPTION - LUBRICATOR
92829233	SPRING		35 105	AIREND ASSEMBLY MAINTENANCE KIT
92865781	VALVE, OVERSPEED		93	OPTION - OVERSPEED VALVE
92867415	DECAL, CLOSE DOORS		23	DECALS & DOCUMENTATION
92867449	DECAL, REFER TO HANDBO		23	DECALS & DOCUMENTATION
92867530	DECAL, HOT SURFACE		23	DECALS & DOCUMENTATION
92869528	COVER, BATTERY		25	INSTRUMENTATION & ELECTRICS
92879139	CLAMP		79	EXHAUST SYSTEM
92879287	SCREW		15	ENCLOSURE
92898758	PLUG		15	ENCLOSURE
92899426	ELBOW		39	OIL/AIR PIPING
92901222	LAMP, TAIL/STOP/FLASH		15	ENCLOSURE
92901230	LAMP, REGISTRATION PLAT		15	ENCLOSURE
92911288	TUBE		89	OPTION - LUBRICATOR
92912351	PLUG		31	INSTRUMENTATION & ELECTRICS
92919380	HOUSING		89	OPTION - LUBRICATOR
92919398	HEAD		89	OPTION - LUBRICATOR
92919554	VALVE		89	OPTION - LUBRICATOR
92919810	PLUG		89	OPTION - LUBRICATOR
92930585	DECAL, PRESSURISED VES		23	DECALS & DOCUMENTATION
92930593	DECAL, ELECTRIC SHOCK		23	DECALS & DOCUMENTATION
92930601	DECAL, CORROSIVE SUBST		23	DECALS & DOCUMENTATION
92930650	DECAL, EMERGENCY STOP		23	DECALS & DOCUMENTATION
92930668	DECAL, NO MAINT/READ MA		23	DECALS & DOCUMENTATION
92961077	NIPPLE		43	OIL/AIR PIPING
92961846	HARNESS		31	INSTRUMENTATION & ELECTRICS
92969914	DIODE		25 97	INSTRUMENTATION & ELECTRICS RECOMMENDED SPARE PARTS
92972140	SCREW		15 29 33	ENCLOSURE INSTRUMENTATION & ELECTRICS AIREND ASSEMBLY

Part Number	Denomination	WAS	Page	Subgroup
			91	OPTION - AFTERCOOLER
92975689	NUT		15	ENCLOSURE
92976042	DECAL, EXHAUST GAS DISC		23	DECALS & DOCUMENTATION
93151959	FLANGE		35	AIREND ASSEMBLY
93163897	DECAL		89	OPTION - LUBRICATOR
93165959	DECAL, ROTATING FAN		23	DECALS & DOCUMENTATION
93171239	DECAL, ENGINE OIL DRAIN		23	DECALS & DOCUMENTATION
93171247	DECAL, COOLANT DRAIN		23	DECALS & DOCUMENTATION
93171254	DECAL, DIESEL FUEL		23	DECALS & DOCUMENTATION
93171262	DECAL, LIFT/TIE POINT		23	DECALS & DOCUMENTATION
93171270	DECAL, ENGINE OIL FILL		23	DECALS & DOCUMENTATION
93171288	DECAL, COOLANT FILL		23	DECALS & DOCUMENTATION
93181366	STUD, EARTH POINT		85	OPTION - GENERATOR
93181865	VALVE, RELIEF		43	OIL/AIR PIPING
			97	RECOMMENDED SPARE PARTS
93193191	CABLE		25	INSTRUMENTATION & ELECTRICS
93194413	DECAL, DO NOT STAND		23	DECALS & DOCUMENTATION
93465383	DECAL, SERVICE VALVE		23	DECALS & DOCUMENTATION
93466381	LAMP, INDICATOR		25	INSTRUMENTATION & ELECTRICS
			97	RECOMMENDED SPARE PARTS
93477388	LAMP, FOG		15	ENCLOSURE
93481448	ADAPTOR		39	OIL/AIR PIPING
93481455	GASKET		39	OIL/AIR PIPING
93481554	ADAPTOR		39	OIL/AIR PIPING
93481562	MANIFOLD		39	OIL/AIR PIPING
93481570	TUBE ASSEMBLY		39	OIL/AIR PIPING
93500924	SCREW		33	AIREND ASSEMBLY
93502128	PLUG		43	OIL/AIR PIPING
			97	RECOMMENDED SPARE PARTS
93502300	WASHER		39	OIL/AIR PIPING
93531184	GAUGE, PRESSURE		25	INSTRUMENTATION & ELECTRICS
			97	RECOMMENDED SPARE PARTS
93545580	WASHER		33	AIREND ASSEMBLY
			39	OIL/AIR PIPING
95022307	O-RING		39	OIL/AIR PIPING
95077798	NUT		85	OPTION - GENERATOR
95081824	WASHER, SPRING		85	OPTION - GENERATOR
95094298	WASHER		15	ENCLOSURE
95279025	SCREW		37	AIR INTAKE
95371225	CONNECTOR		91	OPTION - AFTERCOOLER
95376943	SET SCREW		33	AIREND ASSEMBLY
95664314	SCREW, SHOULDER		85	OPTION - GENERATOR
95930301	BUSH		47	REGULATION SYSTEM
95934998	WASHER		49	ENGINE ASSEMBLY
95935037	WASHER		49	ENGINE ASSEMBLY
95938148	CONNECTOR		39	OIL/AIR PIPING

Part Number	Denomination	WAS	Page	Subgroup
95999058	TEE		47	REGULATION SYSTEM
96704176	NUT		19	ENCLOSURE
			29	INSTRUMENTATION & ELECTRICS
			81	COOLING SYSTEM
			83	FUEL SYSTEM
96704408	SCREW		79	EXHAUST SYSTEM
97319941	CHECK, SAFETY		113	AIR HOSE FITTINGS



Portable Power